

### Product features

- Adjustable power LED driver
- Flicker-free LED driver
- DIP control adjusts the current
- Output current 500...750 mA by DIP Switch adjust
- Max. output power 30 W
- For luminaires with protection class II
- 5 years warranty



### Product specifications

163717 XZ-QR30B-400075-B18

Output current	Input voltage	Output voltage	Efficiency @full load	Current accuracy	Power factor @full load	Dimension LxWxH (mm)
750mA	220...240 Vac	25...40Vdc	87%	± 5%	≥ 0.95	122x40.5x26
700mA			87%			
550mA			86%			
500mA			86%			

### Electrical specifications

#### Mains voltage supply

Rated input voltage range	220...240 Vac
Max. input voltage range	198...264 Vac
Rated frequency range	50/60 Hz
Max. input current	0.21 A @ 230 Vac

#### Protection against voltage peaks

Withstand voltage	I/p-FG: 3.75 kVac, < 5 mA 60 sec
Mains surge immunity	L-N 1 kV

#### Total harmonic distortion (THD)

At rated input voltage range @ full load	≤ 15%
--	-------

#### Output data

Output current tolerance	± 5% at rated input voltage range
No load output voltage	55Vdc
Ripple output current	5% (ripple = peak/average total 100 Hz)

Output PstLM	$\leq 1$ at full load @ rated input voltage
Output SVM	$\leq 0.4$ at full load @ rated input voltage

### Protection functions output side

Short circuit protection	Yes
--------------------------	-----

### Connection terminals

Connection terminal type	45° Push in terminal
Wire cross section	Input wire: 0.75...1.5 mm <sup>2</sup> ; Output wire: 0.5...1.5 mm <sup>2</sup> ;
Wire stripping length	7...8 mm

### Degree of protection

Protection rating	IP20
-------------------	------

### Operating data

Set output current	DIP Switch adjusts the current: 500-750 mA
Default current	500 mA
Output voltage range	25...40 Vdc
Noise level	< 20 dB, at full load @ 100 cm distance

### Circuit breaker / Inrush current

MCB loading quantity	Inrush current I <sub>peak</sub> : 19.0 A			Inrush current T <sub>width</sub> : 166.0 μs	
	MCB type	B10	C10	B16	C16
	Units	20	34	33	55

## Supplementary instructions

- The luminaire manufacturer is responsible for measuring and verifying the EMI compliance of the complete luminaire, as the level of radio interference will vary depending on the luminaire construction. Especially primary and secondary cable lengths and their routing may have a significant effect on radio interference.
- For the push DIM function, please follow our instructions, which can be downloaded from [www.cupower.com](http://www.cupower.com).

## Protection

- Over voltage protection: Hiccup mode. Protection will trigger when load voltage exceed specified output voltage and will auto recover after the fault mode is removed.
- Short circuit protection: Hiccup mode. Protection device will trigger when short circuit and will auto recover after the fault mode is removed.



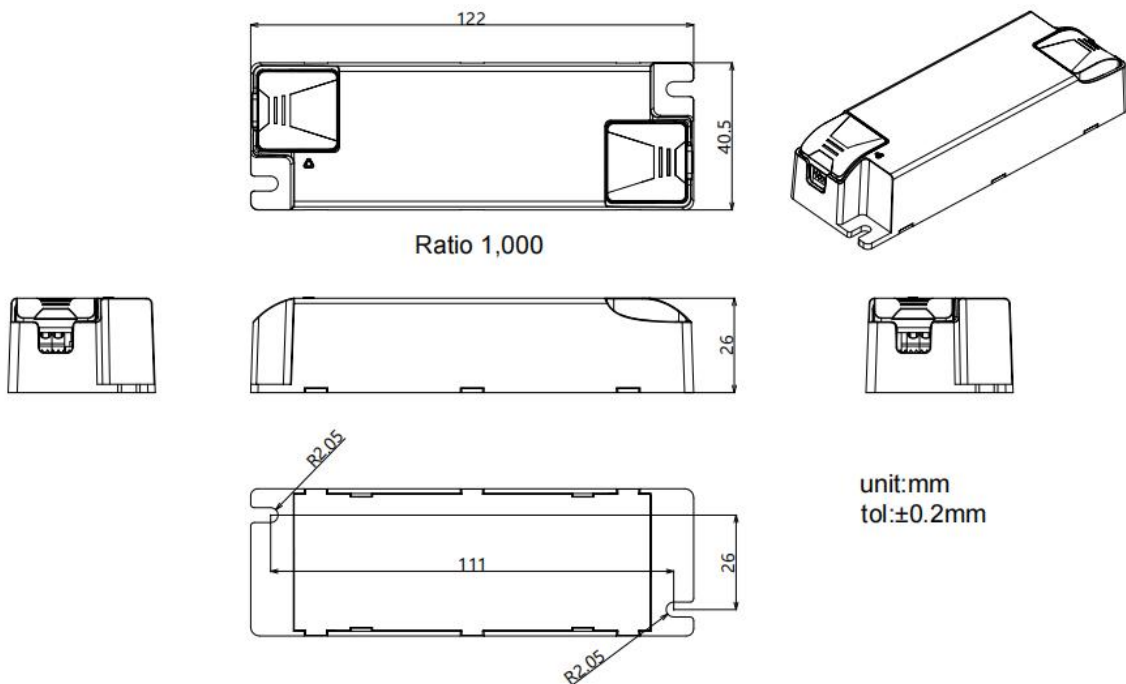
### Dimensions

#### Housing dimensions

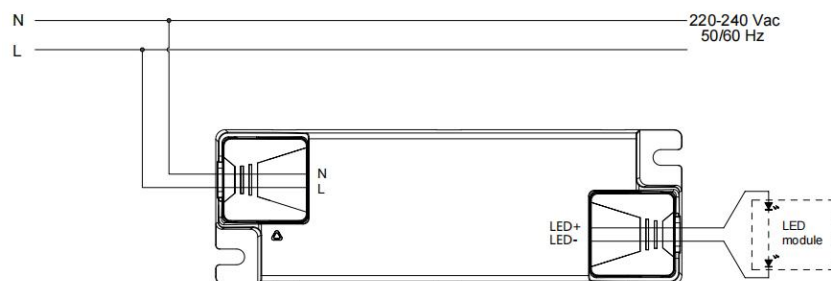
Length (L)	122 mm
Width (W)	40.5 mm
Height (H)	26 mm
Weight	0.099 kg

#### Packaging details

Packing units	90 pcs
Carton size	377 x 252 x 163 mm
Weight	9.1kg

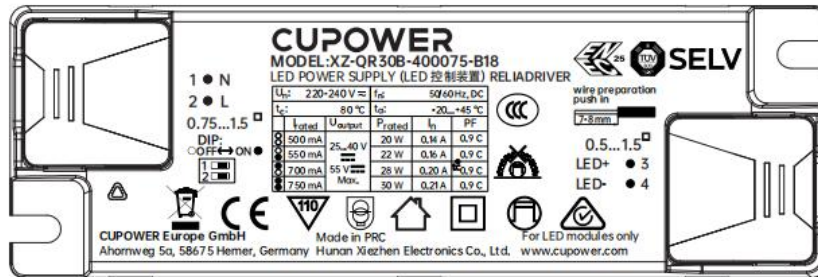


### Wiring diagram



- All connections must be as short as possible to ensure good EMI performance.
- The luminaire wire should keep a certain distance from the LED power supply and other wires (5 - 10 cm is preferred).
- No secondary switches are allowed.
- Incorrect wiring can damage the LED.
- The wire must be well protected against short circuit.

### Adjustable Output Current with dip-switch



Iout	1	2
500mA	OFF	OFF
550mA	ON	OFF
700mA	OFF	ON
750mA	ON	ON

### Technical information

