

Product features

- Built-in non-isolated 0-10V dimming adjustable power and color temperature LED driver
- Flicker-free LED driver
- 12 V 0.2 A Auxiliary source
- Output current 750...950 mA
- Max. output power 240 W
- For luminaires with protection class I
- 5 years warranty

c(UL)us Class P 



Product specifications

164424 XZ-SK240B-251095-085075-AADA

Output current	Input voltage	Output voltage	Efficiency @ full load	Current accuracy	Power factor	Dimension LxWxH (mm)
950 mA	120 Vac	180...250 Vdc	93%	± 5%	0.9	240.5x59.9x38
850 mA			93%			
750 mA			93%			
950 mA	277 Vac		95%			
850 mA			95%			
750 mA			95%			

Electrical specifications

Mains voltage supply

Rated input voltage range	120...277 Vac
Max. input voltage range	108...305 Vac
Rated frequency range	50/60 Hz
Max. input current	2.6 A @ 120 Vac

Protection against voltage peaks

Withstand voltage	I/p-FG: 1.5 kVac, < 5 mA 60 S; O/p-DIM: 1.8 kVac, < 5 mA 60 S I/p-DIM: 1.8 kVac, < 5 mA 60 S; DIM-FG: 0.6 kVac, < 5 mA 60 S O/p-FG: 1.5 kVac, < 5 mA 60 S
Mains surge immunity	L-N 4 kV, L-FG 4 kV, N-FG 4 kV

Total harmonic distortion (THD)

At rated input voltage range @ full load	20%
--	-----

Output data

Output current tolerance	± 5% at rated input voltage range
No load output voltage	300 Vdc
Stroboscopic coefficient	5%
Inrush current	50 A at rated input voltage range @ full load
Turn-on Delay time	0.75 s at full load @ low rated input voltage, ≤ 0.5 s at full load @ high rated Input voltage

Protection functions output side

Over voltage protection	Yes
Short circuit protection	Yes

Connection terminals

Wire cross section	Input and output wire:18-20 AWG
Wire stripping length	10±1 mm

Degree of protection

Protection rating	IP20
-------------------	------

Operating data

Default current	750 mA
Output voltage range	180...250 Vdc
Noise level	< 24 dB, at full load @ 100 cm distance

Supplementary instructions

- The power supply is used in combination with the terminal equipment as a part of the whole lamp. Because the EMC performance is affected by LED lamps and wiring, the terminal is set In case the manufacturer needs to reconfirm the EMC of the whole device.
- The outputs of drivers cannot be in paralleled.

Protection

- Over voltage protection: Hiccup mode. protection device will trigger when load voltage exceeds specified output voltage and will auto recover after the fault mode is removed.
- Short circuit protection: Hiccup mode. protection device will trigger when short circuit and will auto recover after the fault mode is removed.

Environmental specifications

Operating temperature	-40...+55°C
Storage temperature	-40...+90°C
Working humidity	10%...90%
Store humidity	5%...90%
Lifetime	at Tc 75°C : 50,000 hrs
Maximum Tc temperature	90°C

Safety & EMC compliance

UL
UL8750
CLASS P

CCC

SAA

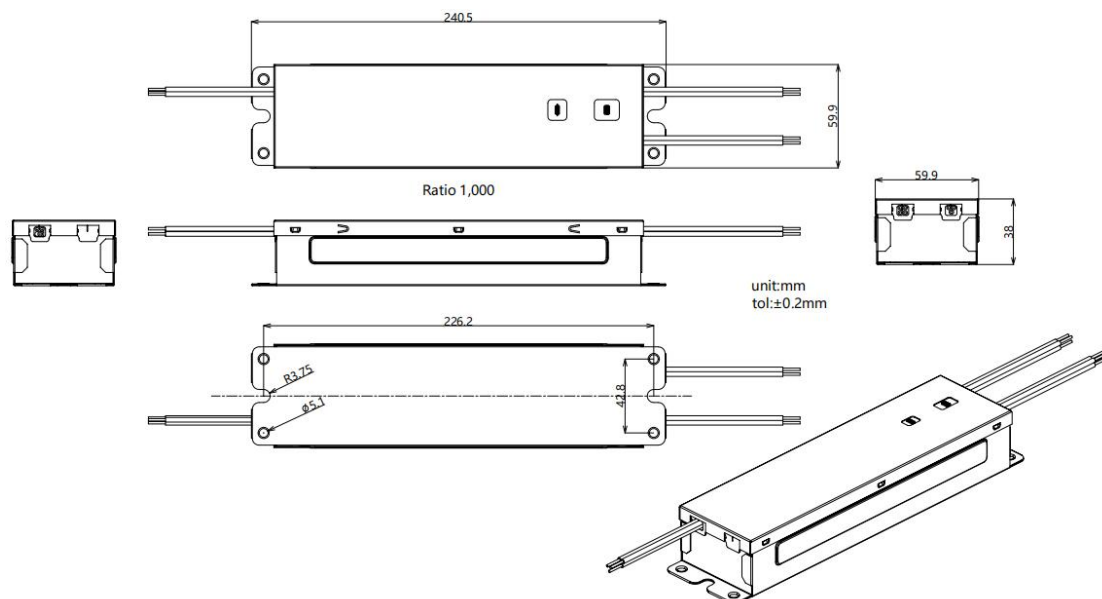
Dimensions

Housing dimensions

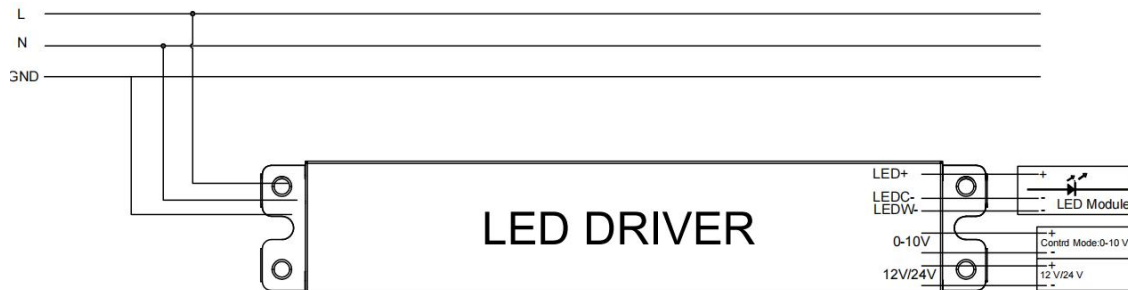
Length (L)	240.5 mm
Width (W)	59.9 mm
Height (H)	38 mm
Weight	0.9345 kg

Packaging details

Packing units	20 pcs
Carton size	318 x 251 x 185 mm
Weight	19.1 kg



Wiring diagram



- All connections must be as short as possible to ensure good EMI performance.
- The luminaire wire should keep a certain distance from the LED power supply and other wires (5 - 10 cm is preferred).
- Incorrect wiring can damage the LED.
- The product must be well grounded

Switch diagram



Input wire	UL1015 18 AWG (White and Black)
FG wire	UL1015 18 AWG (Yellow with green stripes)
DIM wire	UL1015 20 AWG (Purple and pink)
Output wire	UL1015 18 AWG (Red;Black and blue)
Aux wire	UL1015 20 AWG (Red and Black)

Technical information

