

### Product features

- Fixed output independent LED driver
- Flicker-free LED driver
- Output current 750...1050 mA
- Max. output power 42 W
- For luminaires with protection class II
- 5 years warranty



### Product specifications

164448 XZ-QR40B-400105-D

Output current	Input voltage	Output voltage	Efficiency @full load	Current accuracy	Power factor	Dimension LxWxH (mm)
750 mA	220...240 Vac	25...40 Vdc	88%	± 5%	0.95	122x40.5x26
850 mA			88%			
950 mA			88%			
1050 mA			88%			

### Electrical specifications

#### Mains voltage supply

Rated input voltage range	220...240 Vac
Max. input voltage range	198...264 Vac
Rated frequency range	50/60 Hz
Max. input current	0.3 A @ 230 Vac

#### Protection against voltage peaks

Withstand voltage	I/p-O/p: 3.75 kVac, < 5 mA 60 sec
Mains surge immunity	L-N 1 kV

#### Total harmonic distortion (THD)

At rated input voltage range @ full load	15%
--	-----

#### Output data

Output current tolerance	± 5% at rated input voltage range
No load output voltage	55 Vdc
Turn on delay time	0.5 s at full load @ low rated input voltage
Output PstLM	≤ 1 at full load @ rated input voltage

Output SVM	$\leq 0.4$ at full load @ rated input voltage
------------	---

### Protection functions output side

Short circuit protection	Yes
--------------------------	-----

### Connection terminals

Connection terminal type	45° Push in terminal
Wire cross section	Input wire: 0.75...1.5 mm <sup>2</sup> ; Output wire: 0.2...1.5 mm <sup>2</sup>
Wire stripping length	7...8 mm

### Degree of protection

Protection rating	IP20
-------------------	------

### Operating data

Default current	750 mA
Output voltage range	25...40 Vdc
Noise level	< 20 dB, at full load @ 100 cm distance

### Circuit breaker / Inrush current

	Inrush current I <sub>peak</sub> : 24.9 A			Inrush current T <sub>width</sub> : 206 µs	
MCB loading quantity	MCB type	B10	C10	B16	C16
	Units	12	12	20	33

## Supplementary instructions

- The luminaire manufacturer is responsible for measuring and verifying the EMI compliance of the complete luminaire, as the level of radio interference will vary depending on the luminaire construction. Especially primary and secondary cable lengths and their routing may have a significant effect on radio interference.

## Protection

- Over voltage protection: Hiccup mode. Protection will trigger when load voltage exceed specified output voltage and will auto recover after the fault mode is removed.
- Short circuit protection: Hiccup mode. Protection device will trigger when short circuit and will auto recover after the fault mode is removed.

### Environmental specifications

Operating temperature	-20...+45°C
Storage temperature	-40...+90°C
Working humidity	10%...90%
Store humidity	5%...90%
Lifetime	at Tc 80°C: 50,000 hrs; @ 230 Vac
Maximum Tc temperature	90°C

### Safety & EMC compliance

ENEC+CE
EN 61347-2-13:2014/A1:2017
EN 61347-1:2015
EN62384:2015/A1:2022
EN55015:2019/A11:2020
EN61000-3-2:2019
EN61000-3-3:2013
EN61547:2023

CCC
GB 17625.1-2022
GB/T 17743-2021
GB 19510.1-2009
GB 19510.14-2009

SAA
AS/NZS IEC 61347.2.13.2013
AS/NZS 61347.1:2016+A1

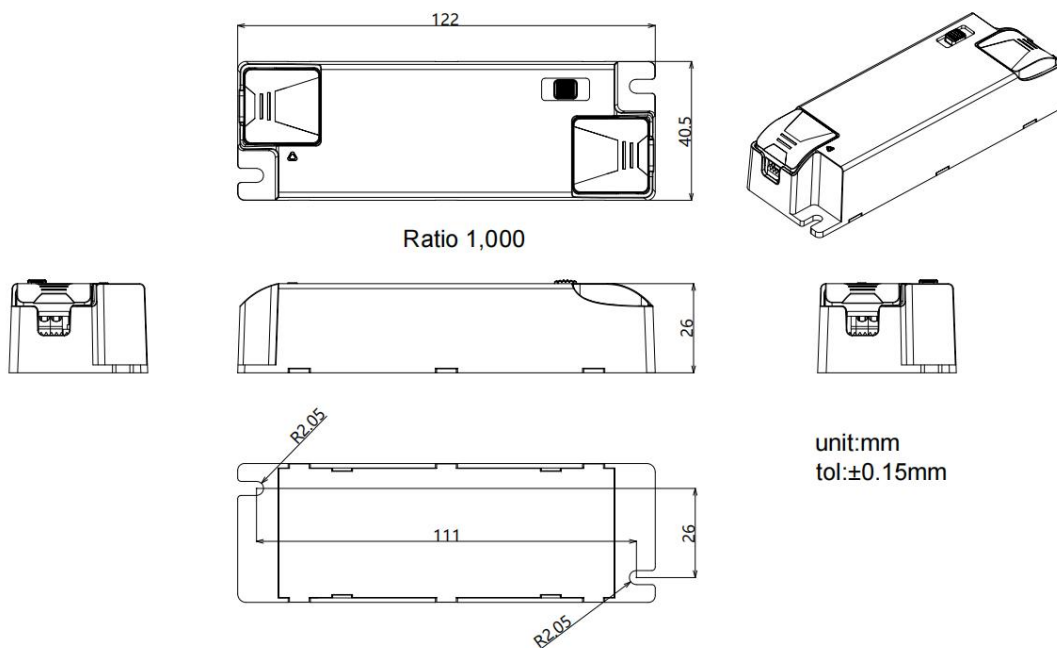
### Dimensions

#### Housing dimensions

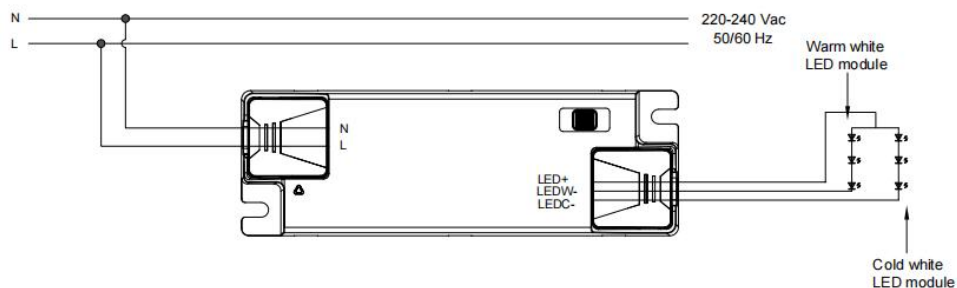
Length (L)	122 mm
Width (W)	40.5 mm
Height (H)	26 mm
Weight	0.0935 kg

#### Packaging details

Packing units	90 pcs
Carton size	377 x 252 x 163 mm
Weight	9.1 kg



### Wiring diagram



- All connections must be as short as possible to ensure good EMI performance.
- The luminaire wire should keep a certain distance from the LED power supply and other wires (5 - 10 cm is preferred).
- Incorrect wiring can damage the LED.
- The wire must be well protected against short circuit.

## Technical information

