

Product features

- Flicker-free LED driver
- Supports DALI-2, push DIM
- Built-in isolated adjustable power LED driver
- Current adjustment via NFC
- Output current 350...1400 mA
- Max. output power 50 W
- Constant lumen output (CLO)
- For luminaires with protection class I
- 5 years warranty



Product specifications

160808 ID LCCB 50/230/350-1400 DALI NFC FV1

Output current	Input voltage	Output voltage	Efficiency @full load	Current accuracy	Power factor	Dimension LxWxH (mm)
350 mA	220...240 Vac 220...240 Vdc	15...54 Vdc	87%	± 5%	0.9	278x30x16
925 mA		15...54 Vdc	89.5%			
1050 mA		15...45.5 Vdc	89%			
1400 mA		15...36 Vdc	87.5%			

Electrical specifications

Mains voltage supply

Rated input voltage range	220...240 Vac
Max. input voltage range	198...264 Vac
Rated frequency range	0/50/60 Hz
Max. input current	0.3 A @ 230 Vac

Battery operation

DC voltage range	220...240 Vdc
Max. DC voltage range	176...276 Vdc

Protection against voltage peaks

Withstand voltage	I/p-FG: 1.5 kVac, < 5 mA 60 sec; I/P-DA: 1.5 kVac, < 5 mA 60 sec I/p-O/p: 3.75 kVac, < 5 mA 60 sec, O/P-DA: 1.5 kVac, < 5 mA 60 sec O/p-FG: 1.5 kVac, < 5 mA 60 sec, DA-FG: 1.5 kVac, < 5 mA 60 sec
Mains surge immunity	L-N 1 kV, L/N-FG:2kV

Total harmonic distortion (THD)

At rated input voltage range @ full load	20%
--	-----

Output data

Output current tolerance	± 5% at rated input voltage range
No load output voltage	60 Vdc
Ripple output current	5% (ripple = peak/average total 100 Hz)
Output PstLM	≤ 1 at full load @ rated input voltage
Output SVM	≤ 0.4 at full load @ rated input voltage

Protection functions output side

Overvoltage protection	The output voltage is less than or equal to 60 V
Overpower protection	The output power is less than or equal to 55 W
Short circuit protection	Yes

Dimming operation and interface

Dimming current range	1%~100%
Standby power consumption	≤ 0.3 W

Connection terminals

Connection terminal type	0° push in terminal
Wire cross section	Input and output wire: 0.5...1.5 mm ²
Wire stripping length	8...9 mm

Degree of protection

Protection rating	IP20
-------------------	------

Operating data

Output current range	NFC control adjusts the current: 350...1400 mA
Default current	350 mA
Output voltage range	15...54 Vdc
Noise level	< 20 dB, at full load @100cm distance

Circuit breaker / Inrush current

	Inrush current I _{peak} : 6.1 A		Inrush current T _{width} : 44 μs		
MCB loading quantity	MCB type	B10	C10	B16	C16
	Units	32	32	51	51

Supplementary instructions

- The luminaire manufacturer is responsible for measuring and verifying the EMI compliance of the complete luminaire, as the level of radio interference will vary depending on the luminaire construction. Especially primary and secondary cable lengths and their routing may have a significant effect on radio interference.
- For the push DIM function, please follow our instructions, which can be downloaded from www.cupower.com.
- Short circuit protection: Hiccup mode. Protection device will trigger when short circuit and will auto recover after the fault mode is removed.

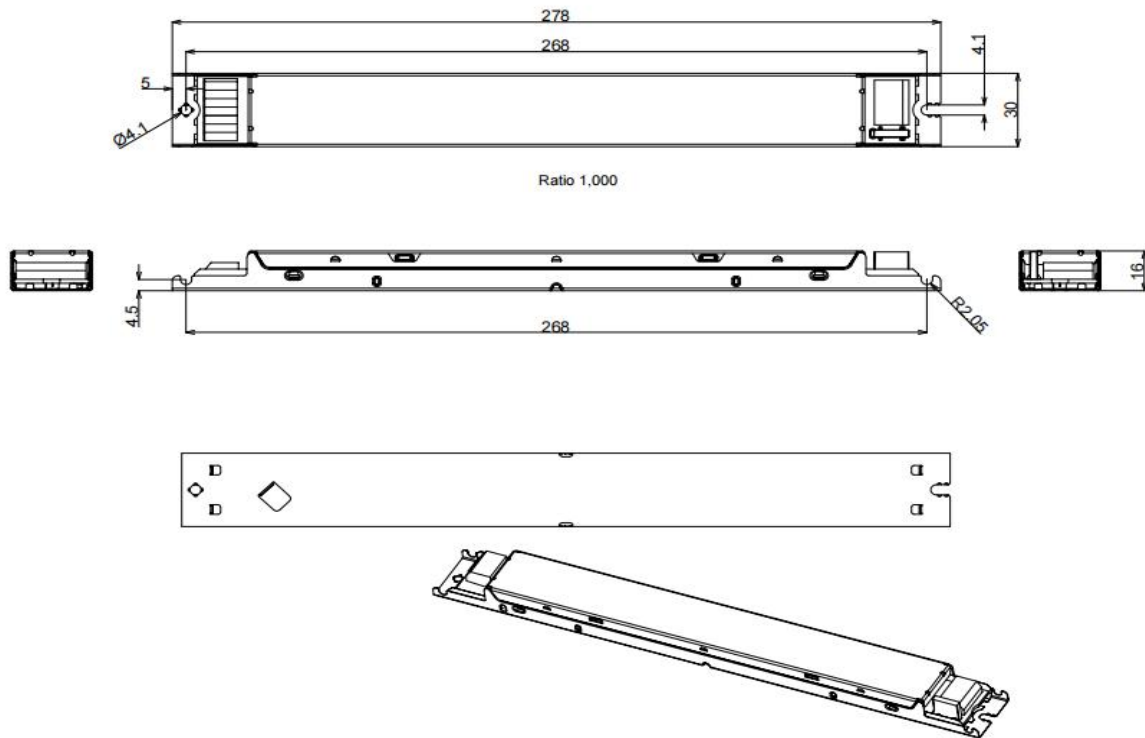
Dimensions

Housing dimensions

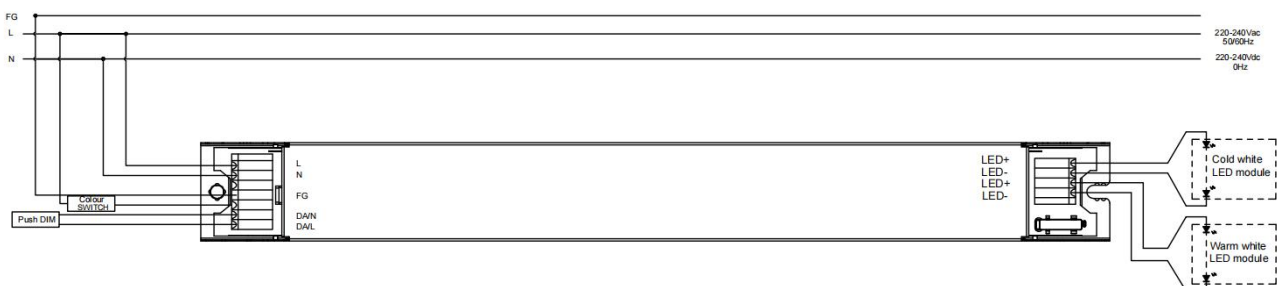
Length (L)	278 mm
Width (W)	30 mm
Height (H)	16 mm
Weight	0.18 kg

Packaging details

Packing units	50 pcs
Carton size	312 x 293 x154 mm
Weight	9.65 kg

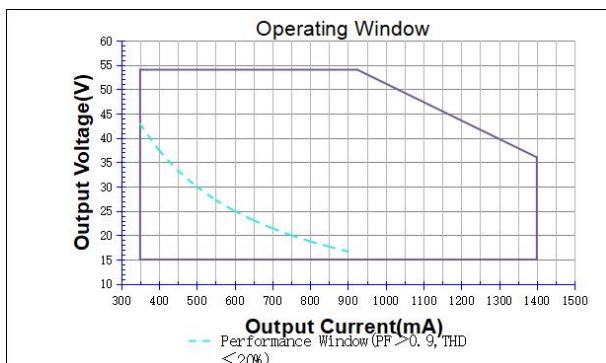
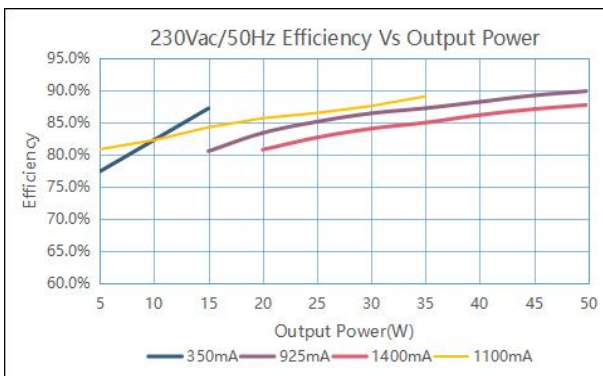
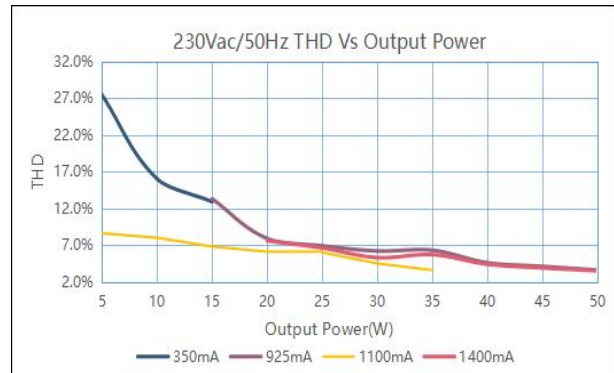
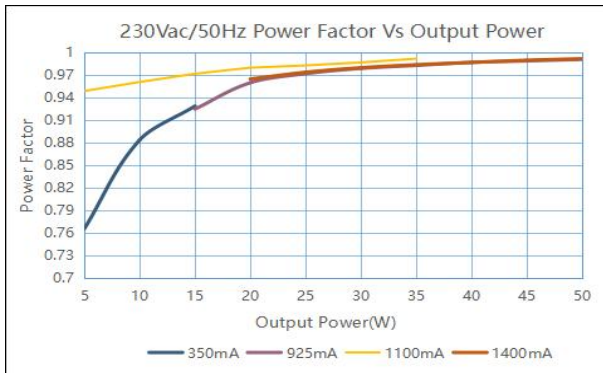


Wiring diagram



- All connections must be as short as possible to ensure good EMI performance.
- The luminaire wire should keep a certain distance from the LED power supply and other wires (5 - 10 cm is preferred).
- No secondary switches are allowed.
- Incorrect wiring can damage the LED.
- The wire must be well protected against short circuit.

Technical information



It's important to set the output current (AOC value) according to the LED voltage and make sure the power is within 50 W + 5%.

Example of AOC settings

V LED (Vdc)	AOC max	Pout (W)
54	350 mA	19
54	925 mA	50
45.5	1050 mA	50
36	1400 mA	50