

Product features

- Flicker-free LED driver
- Constant voltage LED driver
- Output current 0...2.0 A
- Max. output power 96 W
- For luminaires with protection class I, II
- 5 years warranty



Product specifications

161263 CU-COM-96-48-220...240-OF-FS

Output current	Input voltage	Output voltage	Efficiency @ full load	Voltage accuracy	Power factor	Dimension LxWxH (mm)
0...2.0 A	220...240 Vac 220...240 Vdc	48 Vdc	92%	± 1.5 V	0.9	278 x 30 x 21

Electrical specifications

Mains voltage supply

Rated input voltage range	220...240 Vac
Max. input voltage range	198...264 Vac
Rated frequency range	0/50/60 Hz
Max. input current	0.52 A @ 230 Vac

Battery operation

DC voltage range	220...240 Vdc
Max. DC voltage range	176...276 Vdc

Protection against voltage peaks

Withstand voltage	I/p-O/p: 3.75 kVac, < 5 mA 60 sec; I/p-O/p-FG: 1.5 kVac, < 5 mA 60 sec
Mains surge immunity	L-N 2 kV, L-FG 2 kV, N-FG 2 kV

Total harmonic distortion (THD)

At rated input voltage range @ full load	10%
--	-----

Output data

Output voltage tolerance	± 1.5 V at rated input voltage range
Turn on delay time	0.5 s at full load @ rated input voltage
No load output voltage	49.5 Vdc
Output PstLM	≤ 1 at full load @ rated input voltage
Output SVM	≤ 0.4 at full load @ rated input voltage

Protection functions output side

Overpower protection	The output power is less than or equal to 130 W
----------------------	---

Dimming operation and interface

Standby power consumption	0.3 W (average)
---------------------------	-----------------

Connection terminals

Wire cross section	Input wire: 0.5...2.5 mm ² , Output wire: 0.2...2.5 mm ²
Wire stripping length	Input: 8...9 mm, Output: 6...7 mm

Degree of protection

Protection rating	IP20
-------------------	------

Operating data

Output voltage range	48 Vdc
Noise level	< 20 dB, at full load @ 100 cm distance

Circuit breaker / Inrush current

	Inrush current I _{peak} : 26 A			Inrush current T _{width} : 550 μ s	
MCB loading quantity	MCB type	B10	C10	B16	C16
	Units	4	7	6	11

Supplementary instructions

- The luminaire manufacturer is responsible for measuring and verifying the EMI compliance of the complete luminaire, as the level of radio interference will vary depending on the luminaire construction. Especially primary and secondary cable lengths and their routing may have a significant effect on radio interference.

Protection

- Over current protection: Hiccup mode. Protection device will trigger when load current exceeds specified output current and will auto recover after the fault mode is removed.
- Short circuit protection: Hiccup mode. Protection device will trigger when short circuit and will auto recover after the fault mode is remove

Environmental specifications

Operating temperature	-20...+55°C
Storage temperature	-40...+80°C
Working humidity	10%...90%
Store humidity	5%...95%
Lifetime	at Tc 90°C: 50,000 hrs; at Tc 80°C: 100,000 hrs; @ 230 Vac
Maximum Tc temperature	90°C

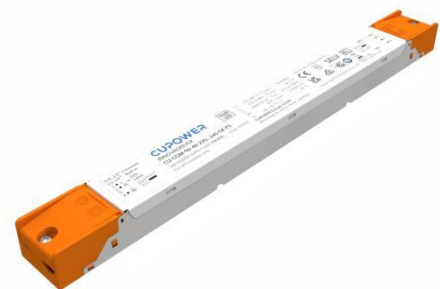
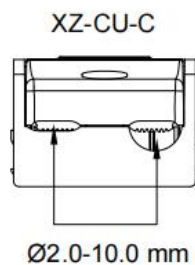
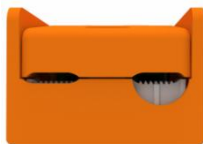
Safety & EMC compliance

ENEC+CE
EN 61347-1-1:2015/A1
EN 61347-2-13:2014/a1
EN 62493:2015/A1
EN IEC 55015:2019/A11
EN IEC 61547
EN IEC 61000-3-2:2019/A1
EN 61000-3-3:2013/A2
EN 61347-1:2015/A1
EN 61347-2-13:2014/A1
EN IEC 62384

CCC
GB 17625.1
GB /T 17743
GB 19510.1
GB 19510.14

SAA

Accessories (optional)



Art. 163434 XZ-CU-C

Dimensions	Length (mm)	Width (mm)	Height (mm)
XZ-CU-C	46	30	21
Driver incl.1 x XZ-CU-C	303	30	21

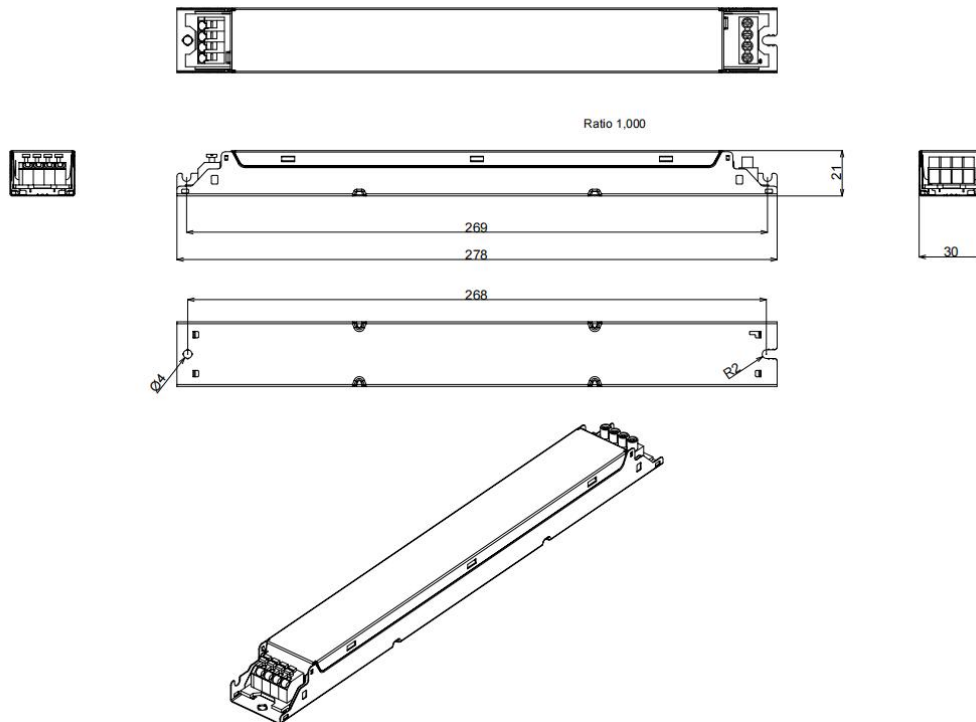
Dimensions

Housing dimensions

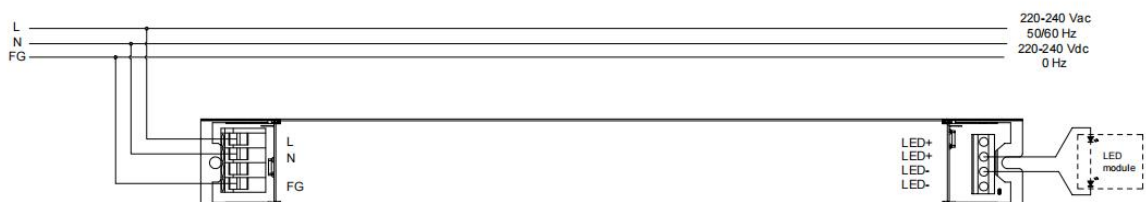
Length (L)	278 mm
Width (W)	30 mm
Height (H)	21 mm
Weight	0.294 kg

Packaging details

Packing units	56 pcs.
Carton size	375 x325 x 185 mm
Weight	17.114 kg



Wiring diagram



- All connections must be as short as possible to ensure good EMI performance.
- The luminaire wire should keep a certain distance from the LED power supply and other wires (5...10 cm is preferred).
- No secondary switches are allowed.
- Incorrect wiring can damage the LED.
- The wire must be well protected against short circuit.

Technical information

