

Product features

- Built-in non isolated adjustable power LED driver
- Supports PWM dimming
- Color temperature adjustable
- DIP control adjusts the current
- 12 V 0.1 A Auxiliary source
- Flicker free LED driver
- Output current 50...400 mA by DIP switch adjust
- Max. output power 42 W
- For luminaires with protection class I
- 5 years warranty



Product specifications

163571 ID ELNCB 40/230/50-400PWM DIP B

Output current	Input voltage	Output voltage	Efficiency @full load	Current accuracy	Power factor	Dimension LxWxH (mm)
50 mA	220...240 Vac 220...240 Vdc	52...140 Vdc	84%	± 15 mA	0.85	193x30x21
100 mA		52...140 Vdc	89%		0.9	
150 mA		52...140 Vdc	90.5%		0.9	
200 mA		52...140 Vdc	92%		0.9	
250 mA		52...140 Vdc	92%	0.95		
300 mA		52...140 Vdc	92%	± 5%	0.95	
350 mA		52...120 Vdc	92%		0.95	
400 mA		52...105 Vdc	91%		0.95	

Electrical specifications

Mains voltage supply

Rated input voltage range	220...240 Vac
Max. input voltage range	198...264 Vac
Rated frequency range	0/50/60 Hz
Max. input current	0.26 A @ 230 Vac

Battery operation

DC voltage range	220...240 Vdc
Max. DC voltage range	198...280 Vdc

Protection against voltage peaks

Withstand voltage	I/p-FG: 1.5 kVac, < 5 mA 60 sec
Mains surge immunity	L-N 1 kV, L-FG 2 kV, N-FG 2 kV

Total harmonic distortion (THD)

At rated input voltage range @ full load	10%
--	-----

Output data

Output current tolerance	50...250 mA \pm 15 mA at rated input voltage range
Output current tolerance	300...400mA \pm 5% at rated input voltage range
No load output voltage	250 Vdc
Ripple output current	5 % (ripple = peak/average total 100 Hz)
Turn-on Delay time	0.5 s at full load @ low rated input voltage
Output PstLM	\leq 1 at full load @ rated input voltage
Output SVM	\leq 0.4 at full load @ rated input voltage

Protection functions output side

Overvoltage protection	The output voltage is less than or equal to 250 V
Short circuit protection	Yes

Dimming operation and interface

Standby power consumption	\leq 0.5 W
---------------------------	--------------

Connection terminals

Connection terminal type	45° push in terminal
Wire cross section	Input wire: 0.5...1.5 mm ² , output wire: 0.2...1.5 mm ²
Wire stripping length	8...9 mm

Degree of protection

Protection rating	IP20
-------------------	------

Operating data

Output current range	DIP control adjusts the current: 50...400 mA
Default current	50 mA
Output voltage range	52...140 Vdc
Noise level	< 20 dB, at full load @ 100 cm distance

Circuit breaker / Inrush current

MCB loading quantity	Inrush current I _{peak} : 24 A			Inrush current T _{width} : 142 μ s	
	MCB type	B10	C10	B16	C16
	Units	19	32	30	51

Supplementary instructions

- It is recommended that customers install under voltage protection and surge protection devices in the power supply circuit of lamps to ensure the safety of electricity consumption.
- The power supply is used in combination with the terminal equipment as a part of the whole lamp. Because the EMC performance is affected by LED lamps and wiring, the terminal is set in case the manufacturer needs to reconfirm the EMC of the whole device.
- The outputs of drivers cannot be in paralleled.
- Short circuit protection: Hiccup mode protection device will trigger when short circuit and will auto recover after the fault mode is removed.

Environmental specifications

Operating temperature	-20...+55°C
Storage temperature	-25...+85°C
Working humidity	10%...90%
Store humidity	5%...95%
Lifetime	at Tc 70°C: 50,000 hrs; @ 230 Vac
Maximum Tc temperature	75°C

Safety & EMC compliance

ENEC+CE	CCC	SAA
/	/	/
/	/	/
/	/	/
/	/	/
/	/	/
/	/	/
/	/	/
/	/	/
/	/	/

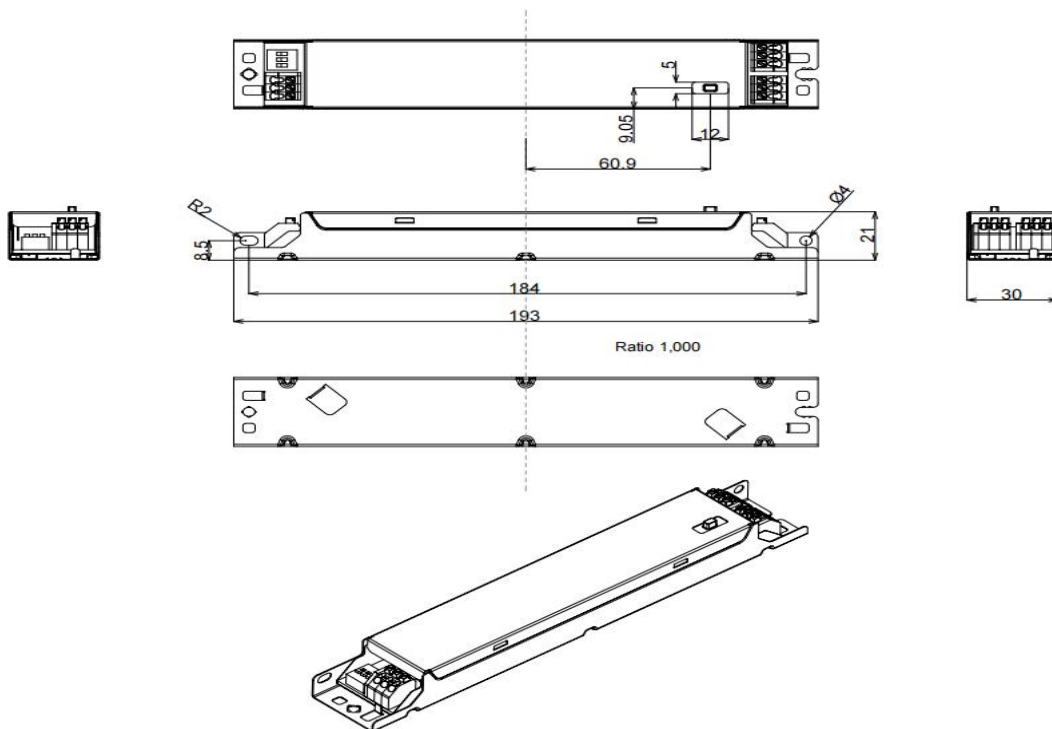
Dimensions

Housing dimensions

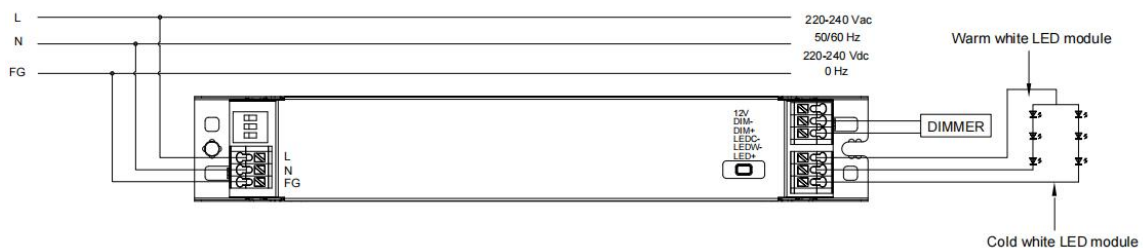
Length (L)	193 mm
Width (W)	30 mm
Height (H)	21 mm
Weight	0.114 kg

Packaging details

Packing units	60 pcs
Carton size	317 x 203 x 160 mm
Weight	7.5 kg



Wiring diagram



- All connections must be as short as possible to ensure good EMI performance.
- The luminaire wire should keep a certain distance from the LED power supply and other wires (5 - 10 cm is preferred).
- Incorrect wiring can damage the LED.
- The wire must be well protected against short circuit.

Technical information

