

Product features

- Independent isolated adjustable power color temperature LED driver
- Flicker-free LED driver
- DIP control adjusts the current
- Output current 200...400 mA by DIP Switch adjust
- Max. output power 10.8 W
- For luminaires with protection class II
- 5 years warranty



Product specifications

161782 XZ-YL09D-270040-B

Output current	Input voltage	Output voltage	Efficiency @full load	Current accuracy	Power factor	Dimension LxWxH (mm)
200 mA	220...240 Vac	18...27 Vdc	81%	± 15 mA	0.5	126x38x25
250 mA			81%			
350 mA			83%	± 5%		
400 mA			83%			

Electrical specifications

Mains voltage supply

Rated input voltage range	220...240 Vac
Max. input voltage range	198...264 Vac
Rated frequency range	50/60 Hz
Max. input current	0.13 A @ 230 Vac

Protection against voltage peaks

Withstand voltage	I/p-O/p: 3.75 kVac, < 5 mA 60 sec
Mains surge immunity	L-N 1 kV

Output data

Output current tolerance	200-250 mA ± 15 mA at rated input voltage range
Output current tolerance	350-400 mA ± 5% at rated input voltage range
No load output voltage	35 Vdc
Ripple output current	5% (ripple = peak/average total 100 Hz)
Output PstLM	≤ 1 at full load @ rated input voltage

Output SVM	≤ 0.4 at full load @ rated input voltage
------------	--

Protection functions output side

Short circuit protection	Yes
--------------------------	-----

Connection terminals

Connection terminal type	45° Push in terminal
Wire cross section	Input wire: 0.75...1.5 mm ² , Output wire: 0.5...1.5 mm ²
Wire stripping length	8...9 mm

Degree of protection

Protection rating	IP20
-------------------	------

Operating data

Set output current	DIP switch adjusts the current: 200-400 mA
Default current	200 mA
Output voltage range	18...27 Vdc
Noise level	< 20 dB, at full load @ 100 cm distance

Circuit breaker / Inrush current

MCB loading quantity	Inrush current I _{peak} : 7.52 A		Inrush current T _{width} : 129 μs		
	MCB type	B10	C10	B16	C16
	Units	68	114	109	182

Supplementary instructions

- The luminaire manufacturer is responsible for measuring and verifying the EMI compliance of the complete luminaire, as the level of radio interference will vary depending on the luminaire construction. Especially primary and secondary cable lengths and their routing may have a significant effect on radio interference.

Protection

- Over voltage protection: Hiccup mode. Protection will trigger when load voltage exceed specified output voltage and will auto recover after the fault mode is removed.
- Short circuit protection: Hiccup mode. Protection device will trigger when short circuit and will auto recover after the fault mode is removed.

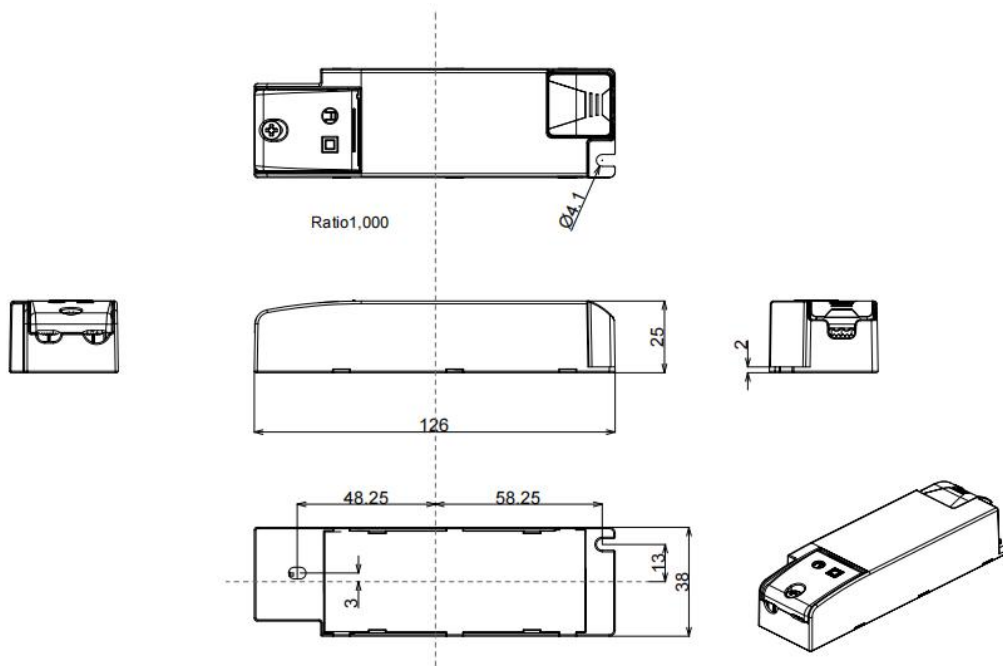
Dimensions

Housing dimensions

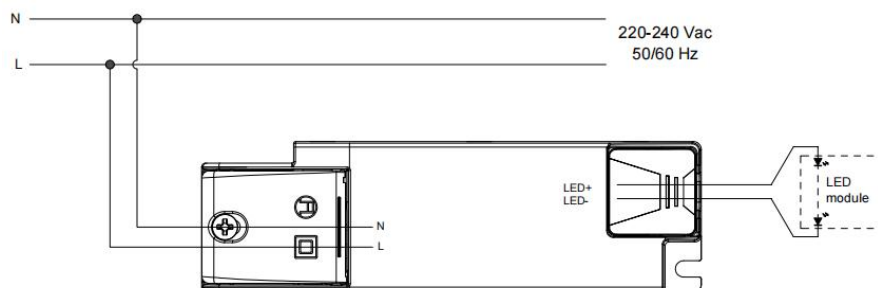
Length (L)	126 mm
Width (W)	38 mm
Height (H)	25 mm
Weight	0.059 kg

Packaging details

Packing units	100 pcs.
Carton size	390 x 262 x 158 mm
Weight	6.58 kg

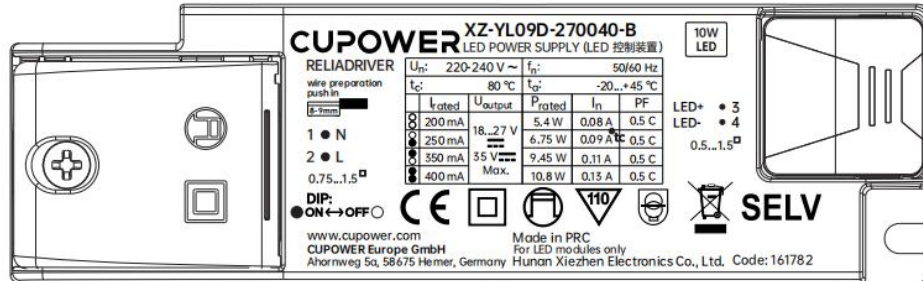


Wiring diagram



- All connections must be as short as possible to ensure good EMI performance.
- The luminaire wire should keep a certain distance from the LED power supply and other wires (5 - 10 cm is preferred).
- No secondary switches are allowed.
- Incorrect wiring can damage the LED.
- The wire must be well protected against short circuit.

Adjustable output current with dip-switch



Iout	1	2
200 mA	OFF	OFF
250 mA	ON	OFF
350 mA	OFF	ON
400 mA	ON	ON

Technical information

