

### Product features

- Independent isolated adjustable power LED driver
- Supports 0...10V dimming
- DIP control adjusts the current
- Flicker free LED driver
- Output current 200...500 mA by DIP switch adjust
- Max. output power 21 W
- For luminaires with protection class I
- 5 years warranty



### Product specifications

164462 ID UCSCI 21/277/200-500 0-10V DIP

Output current	Input voltage	Output voltage	Efficiency @full load	Current accuracy	Power factor	Dimension LxWxH (mm)
200 mA	120...277 Vac	15...42 Vdc	78%	± 15 mA	>0.9	178x50x32
250 mA		15...42 Vdc	79%			
300 mA		15...42 Vdc	80%			
350 mA		15...42 Vdc	81%	± 5%		
400 mA		15...42 Vdc	82%			
450 mA		15...42 Vdc	83%			
500 mA		15...42 Vdc	84%			

### Electrical specifications

#### Mains voltage supply

Rated input voltage range	120...277 Vac
Max. input voltage range	108...305 Vac
Rated frequency range	50/60 Hz
Max. input current	0.25 A @ 120 Vac

#### Protection against voltage peaks

Withstand voltage	I/p-FG: 1.5 KVac, <5mA 60 s; O/P-DIM: 1.5 KVac, < 5 mA 60 s O/P-FG: 1.5 KVac, <5mA 60 s
-------------------	--

Mains surge immunity	L-N 1 kV, L-FG 2 kV, N-FG 2 kV
----------------------	--------------------------------

### Total harmonic distortion (THD)

At rated input voltage range @ full load	20%
--	-----

### Output data

Output current tolerance	200...250 mA $\pm$ 15 mA at rated input voltage range
Output current tolerance	300...500mA $\pm$ 5% at rated input voltage range
No load output voltage	55 Vdc
Ripple output current	5 % (ripple = peak/average total 100 Hz)
Turn-on Delay time	0.5 s at full load @ low rated input voltage
Output PstLM	$\leq$ 1 at full load @ rated input voltage
Output SVM	$\leq$ 0.4 at full load @ rated input voltage

### Protection functions output side

Overvoltage protection	The output voltage is less than or equal to 55 V
Short circuit protection	Yes

### Connection terminals

Connection terminal type	45° push in terminal
Wire cross section	Input wire: 0.75...2.5 mm <sup>2</sup> , output wire: 0.5...1.5 mm <sup>2</sup>
Wire stripping length	8...9 mm

### Degree of protection

Protection rating	IP20
-------------------	------

### Operating data

Output current range	DIP control adjusts the current: 200...500 mA
Default current	200 mA
Output voltage range	15...42 Vdc
Noise level	< 24 dB, at full load @ 100 cm distance

## Supplementary instructions

- It is recommended that customers install under voltage protection and surge protection devices in the power supply circuit of lamps to ensure the safety of electricity consumption.
- The power supply is used in combination with the terminal equipment as a part of the whole lamp. Because the EMC performance is affected by LED lamps and wiring, the terminal is set in case the manufacturer needs to reconfirm the EMC of the whole device.
- The outputs of drivers cannot be in paralleled.
- Short circuit protection: Hiccup mode protection device will trigger when short circuit and will auto recover after the fault mode is removed.

### Environmental specifications

Operating temperature	-20...+50°C
Storage temperature	-25...+85°C
Working humidity	10%...90%
Store humidity	5%...95%
Lifetime	at Tc 80°C: 50,000 hrs; @ 120 Vac
Maximum Tc temperature	80°C

### Safety & EMC compliance

ENEC+CE
/
/
/
/
/
/
/
/
/

CCC
/
/
/
/
/
/
/
/
/

SAA
/
/
/
/
/
/
/
/
/

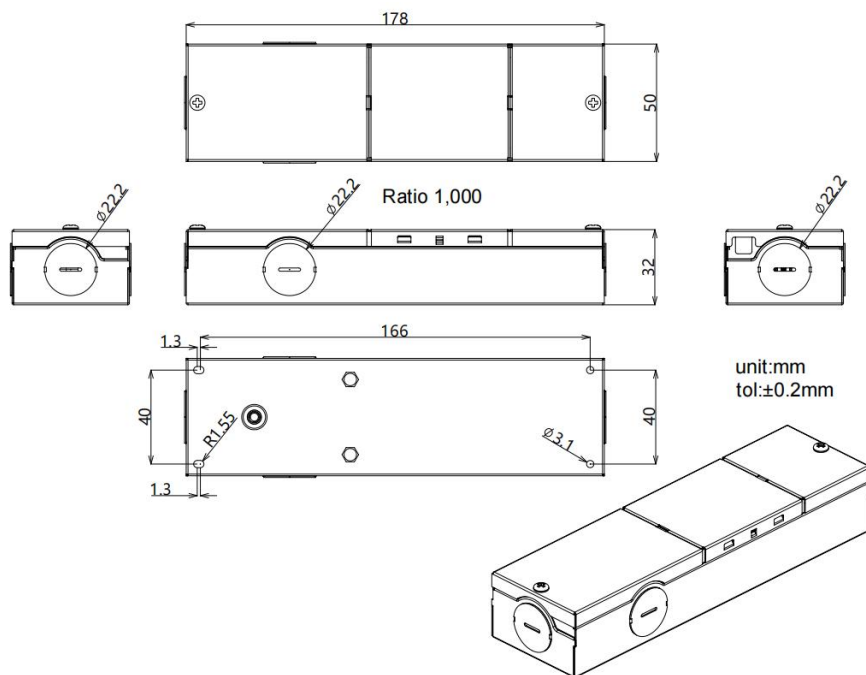
### Dimensions

#### Housing dimensions

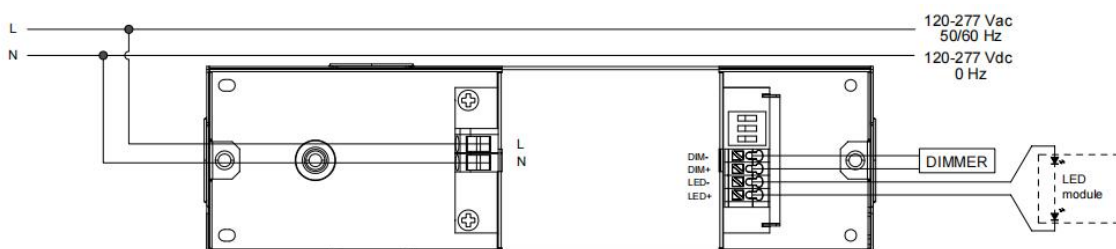
Length (L)	178 mm
Width (W)	50 mm
Height (H)	32 mm
Weight	/

#### Packaging details

Packing units	27 pcs.
Carton size	370 x 235 x 237 mm
Weight	/



### Wiring diagram



- All connections must be as short as possible to ensure good EMI performance.
- The luminaire wire should keep a certain distance from the LED power supply and other wires (5 - 10 cm is preferred).
- Incorrect wiring can damage the LED.
- The wire must be well protected against short circuit.