

Product features

- 0-10V adjustable power color temperature LED driver
- Flicker-free LED driver
- 12 V 0.1 A Auxiliary source
- Output current 450...750 mA
- Max. output power 28.5 W
- For luminaires with protection class I
- 5 years warranty



Product specifications

164165 XZ-SC30B 380075-065055045-H

| Output current | Input voltage | Output voltage | Efficiency @ full load | Current accuracy | Power factor | Dimension LxWxH (mm) |
|----------------|---------------|----------------|------------------------|------------------|--------------|----------------------|
| 750 mA | 120 Vac | 30...38 Vdc | 85% | ± 5% | 0.9 | 257x30x21 |
| 650 mA | | | 85% | | | |
| 550 mA | | | 85% | | | |
| 450 mA | | | 85% | | | |
| 750 mA | 277 Vac | | 85% | | | |
| 650 mA | | | 84% | | | |
| 550 mA | | | 83.5% | | | |
| 450 mA | | | 82.5% | | | |

Electrical specifications

Mains voltage supply

| | |
|---------------------------|-----------------|
| Rated input voltage range | 120...277 Vac |
| Max. input voltage range | 108...305 Vac |
| Rated frequency range | 50/60 Hz |
| Max. input current | 0.4 A @ 120 Vac |

Protection against voltage peaks

| | |
|----------------------|--|
| Withstand voltage | I/p-FG: 1.5 kVac, < 5 mA 60S; O/p-DIM: 1.8 kVac, < 5 mA 60S I/p-DIM: 1.8 kVac, < 5 mA 60S; DIM-FG: 0.6 kVac, < 5 mA 60S O/p-FG: 1.5 kVac, < 5 mA 60S |
| Mains surge immunity | L-N 1kV, L-FG 2 kV, N-FG 2 kV |

Total harmonic distortion (THD)

| | |
|--|-----|
| At rated input voltage range @ full load | 20% |
|--|-----|

Output data

| | |
|--------------------------|--|
| Output current tolerance | ± 5% at rated input voltage range |
| No load output voltage | 55 Vdc |
| Stroboscopic coefficient | 5% |
| Inrush current | 50 A at rated input voltage range @ full load |
| Turn-on Delay time | ≤ 0.75s at full load @ low rated input voltage, ≤ 0.5s at full load @ high rated Input voltage |

Protection functions output side

| | |
|--------------------------|-----|
| Over voltage protection | Yes |
| Short circuit protection | Yes |

Connection terminals

| | |
|--------------------------|----------------------------------|
| Connection terminal type | 45° push in terminal |
| Wire cross section | Input and output wire: 16-24 AWG |
| Wire stripping length | 8...9 mm |

Degree of protection

| | |
|-------------------|------|
| Protection rating | IP20 |
|-------------------|------|

Operating data

| | |
|----------------------|---|
| Default current | 450 mA |
| Output voltage range | 30...38 Vdc |
| Noise level | < 20 dB, at full load @ 100 cm distance |

Supplementary instructions

- Meet FCC requirements, The power supply is used in combination with the terminal equipment as a part of the whole lamp. Because the EMC performance is affected by LED lamps and wiring, the terminal is set. In case the manufacturer needs to reconfirm the EMC of the whole device.
- The outputs of drivers cannot be in parallel.

Protection

- Over voltage protection: Hiccup mode. protection device will trigger when load voltage exceeds specified output voltage and will auto recover after the fault mode is removed.
- Short circuit protection: Hiccup mode. protection device will trigger when short circuit and will auto recover after the fault mode is removed.

Environmental specifications

| | |
|------------------------|------------------------------------|
| Operating temperature | -20...+50°C |
| Storage temperature | -40...+80°C |
| Working humidity | 10%...90% |
| Store humidity | 5%...90% |
| Lifetime | at Tc 65°C (Tc at CY3): 50,000 hrs |
| Maximum Tc temperature | 75°C |

Safety & EMC compliance

| | | |
|-----------|--|--|
| UL | | |
| | | |
| | | |
| | | |
| | | |

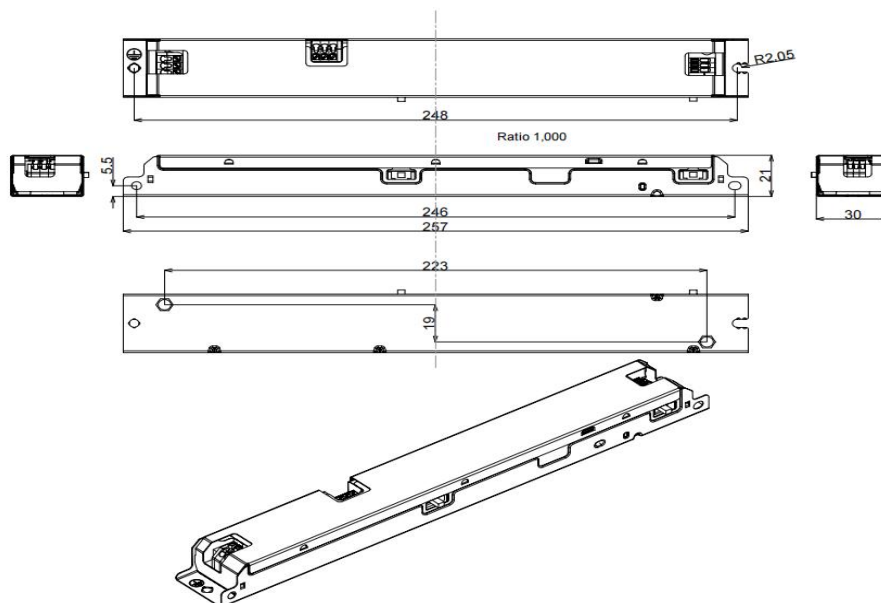
Dimensions

Housing dimensions

| | |
|------------|---------|
| Length (L) | 257 mm |
| Width (W) | 30 mm |
| Height (H) | 21 mm |
| Weight | 0.16 kg |

Packaging details

| | |
|---------------|-------------------|
| Packing units | 50 pcs |
| Carton size | 270x 255 x 180 mm |
| Weight | 8.6kg |



Technical information

