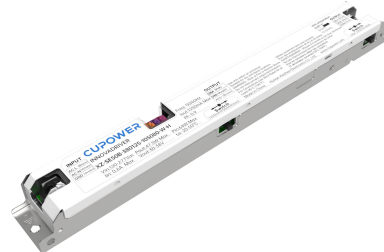


Product features

- 0-10V adjustable power color temperature LED driver
- Flicker-free LED driver
- 12 V 0.1 A Auxiliary source
- Output current 800...1250 mA
- Max. output power 47.5 W
- For luminaires with protection class I
- 5 years warranty



Product specifications

164745 XZ-SE50B-380125-105080-W-H

Output current	Input voltage	Output voltage	Efficiency @full load	Current accuracy	Power factor	Dimension LxWxH (mm)
800 mA	120 Vac	30...38 Vdc	86%	± 5%	0.9	257x30x21
1050 mA			87%			
1250 mA			87%			
800 mA	277 Vac		86%			
1050 mA			87%			
1250 mA			87%			

Electrical specifications

Mains voltage supply

Rated input voltage range	120...277 Vac
Max. input voltage range	108...305 Vac
Rated frequency range	50/60 Hz
Max. input current	0.6 A @ 120 Vac

Protection against voltage peaks

Withstand voltage	I/p-O/p: 1.8 kVac, < 5 mA 60 s; I/p-FG: 1.8 kVac, < 5 mA 60 s I/p-DIM: 1.8 kVac, < 5 mA 60 s; DIM-FG: 0.6 kVac, < 5 mA 60 s O/p-FG: 0.6 kVac, < 5 mA 60 s
Mains surge immunity	L-N 1 kV, L-FG 2 kV, N-FG 2 kV

Total harmonic distortion (THD)

At rated input voltage range @ full load	≤ 20%
--	-------

Output data

Output current tolerance	± 5% at rated input voltage range
No load output voltage	55 Vdc
Ripple output current	5% (ripple = peak/average total 100 Hz)
Inrush current	50 A at rated input voltage range @ full load
Turn-on Delay time	≤ 0.75s at full load @ low rated input voltage, ≤ 0.5s at full load @ high rated Input voltage

Protection functions output side

Over voltage protection	Yes
Short circuit protection	Yes

Connection terminals

Connection terminal type	45° push in terminal
Wire cross section	Input and output wire: 16-24 AWG
Wire stripping length	8...9 mm

Operating data

Default current	800 mA
Output voltage range	30...38 Vdc
Noise level	< 20 dB, at full load @ 100 cm distance

Supplementary instructions

- The luminaire manufacturer is responsible for measuring and verifying the EMI compliance of the complete luminaire, as the level of radio interference will vary depending on the luminaire construction. Especially primary and secondary cable lengths and their routing may have a significant effect on radio interference.
- The outputs of drivers cannot be in paralleled.

Protection

- Over voltage protection: Hiccup mode. protection device will trigger when load voltage exceeds specified output voltage and will auto recover after the fault mode is removed.
- Short circuit protection: Hiccup mode. protection device will trigger when short circuit and will auto recover after the fault mode is removed.

Environmental specifications

Operating temperature	-20...+50°C
Storage temperature	-40...+80°C
Working humidity	10%...90%
Store humidity	5%...90%
Lifetime	at Tc 65°C (Tc at CY3): 50,000 hrs
Maximum Tc temperature	70°C

Safety & EMC compliance

UL	CCC	SAA
UL8750		
UL1310-CLASS 2		
CAN/CSA C22.2 No. 250.13		

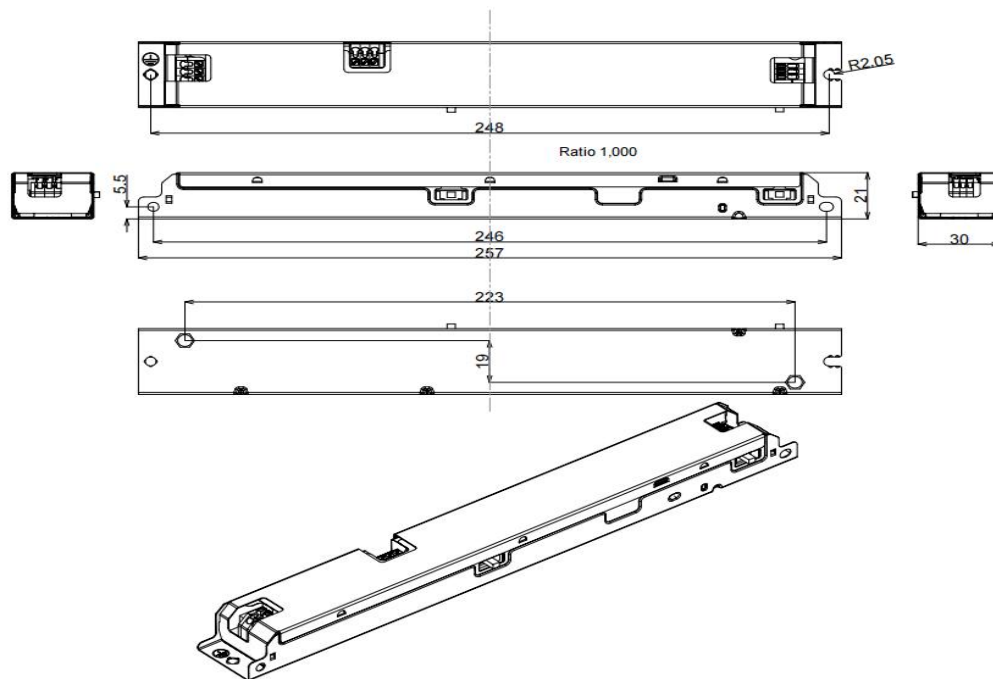
Dimensions

Housing dimensions

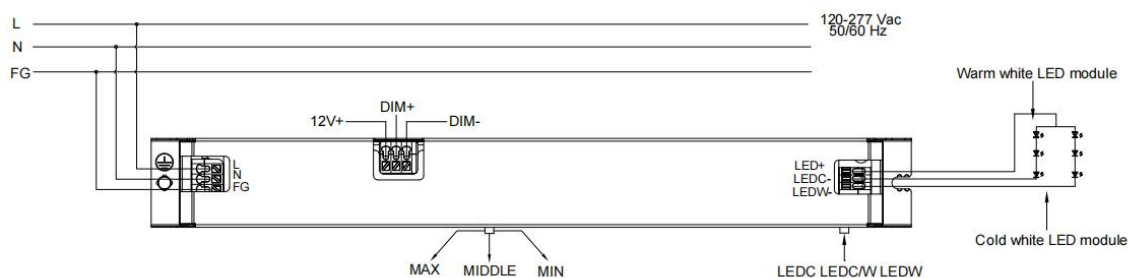
Length (L)	257 mm
Width (W)	30 mm
Height (H)	21 mm
Weight	0.16 kg

Packaging details

Packing units	50 pcs
Carton size	270 x 225 x 180 mm
Weight	8.6 kg



Wiring diagram



- All connections must be as short as possible to ensure good EMI performance.
- The luminaire wire should keep a certain distance from the LED power supply and other wires (5 - 10 cm is preferred).
- Incorrect wiring can damage the LED.
- The wire must be well protected against short circuit.

Technical information

