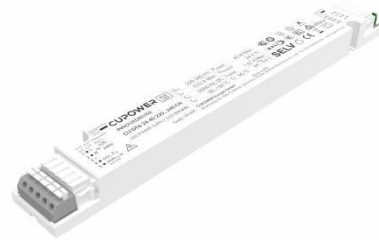


### Product features

- Constant voltage LED driver
- Support DALI-2, Push Dimming
- Usable as DT6 (channel) driver
- Output current 0...1.67 A
- Max. output power 40 W
- DC emergency: Current output default value 15%
- For luminaires with protection class I, II
- 5 years warranty



### Product specifications

#### 161447 CU-DT6-24-40-220...240-CH

Output current	Input voltage	Output voltage	Efficiency @full load	Voltage accuracy	Power factor	Dimension LxWxH (mm)
0...1.67 A	220...240 Vac 220...240 Vdc	24 Vdc	87.5%	± 3%	0.9	264x33x21

### Electrical specifications

#### Mains voltage supply

Rated input voltage range	220...240 Vac
Max. input voltage range	198...264 Vac
Rated frequency range	0/50/60 Hz
Max. input current	0.22 A @ 230 Vac

#### Battery operation

DC voltage range	220...240 Vdc
Max. DC voltage range	198...276 Vdc

#### Protection against voltage peaks

Withstand voltage	I/p-O/p: 3.75 kVac, < 5 mA 60 sec
Mains surge immunity	L-N 1 kV

#### Total harmonic distortion (THD)

At rated input voltage range @ full load	≤ 10%
--	-------

### Output data

Output voltage tolerance	± 3% at rated input voltage range
Output PWM frequency	4000 Hz
No load output voltage	24 Vdc
Ripple output voltage	1%

### Protection functions output side

Short circuit protection	Yes
Over current protection	Yes

### Dimming operation and interface

Dimming range	0.1%~100%
Standby power consumption	≤ 0.3 W

### Connection terminals

Wire cross section	Input wire: 0.5...2.5 mm <sup>2</sup> @ Built-in; 0.75...2.5 mm <sup>2</sup> @ Independent Output wire: 0.5...1.5 mm <sup>2</sup>
Wire stripping length	5...6 mm

### Degree of protection

Protection rating	IP20
-------------------	------

### Operating data

Connection terminal type	Input: 45° push in terminal; Output: 0° push in terminal
Maximum output current	0...1.67 A
Output voltage range	24 Vdc
Noise level	< 20 dB, at full load @ 100 cm distance

### Circuit breaker / Inrush current

MCB loading quantity	Inrush current I <sub>peak</sub> : 21.8 A			Inrush current T <sub>width</sub> : 344 μs	
	MCB type	B10	C10	B16	C16
	Units	8	13	13	22

## Supplementary instructions

- The luminaire manufacturer is responsible for measuring and verifying the EMI compliance of the complete luminaire, as the level of radio interference will vary depending on the luminaire construction. Especially primary and secondary cable lengths and their routing may have a significant effect on radio interference.
- For the push DIM function, please follow our instructions, which can be downloaded from [www.cupower.com](http://www.cupower.com).

## Protection

- Over current protection: Hiccup mode. Protection device will trigger when load current exceeds specified output current and will auto recover after the fault mode is removed.
- Short circuit protection: Hiccup mode. Protection device will trigger when short circuit and will auto recover after the fault mode is removed.

## Environmental specifications

Operating temperature	-20...+50 °C
Storage temperature	-40...+85 °C
Working humidity	10%...90%
Store humidity	5%...95%
Lifetime	at Tc 90 °C: 50,000 hrs; at Tc 80 °C: 100,000 hrs; @ 230 Vac
Maximum Tc temperature	90 °C

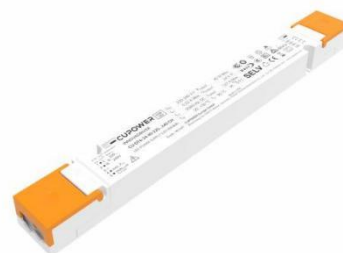
## Safety & EMC compliance

ENEC+CE
EN IEC 55015
EN IEC 61547
EN IEC 61000-3
EN 61000-3
EN 61347-1
EN 61347-2
EN IEC 62384
EN 61347-1
EN 61347-2
EN 62493

CCC
GB 17625
GB 17743
GB 19510
GB 19510.14

SAA
AS 61347.2
AS/NZS 61347.1+A1

## Accessories (optional)



Driver incl: 2\*XZ-CU-A

Art. 163519 XZ-CU-A

Dimensions	Length (mm)	Width (mm)	Height (mm)
XZ-CU-A	43.2	33	21
Driver incl. 2x XZ-CU-A	300	33	21

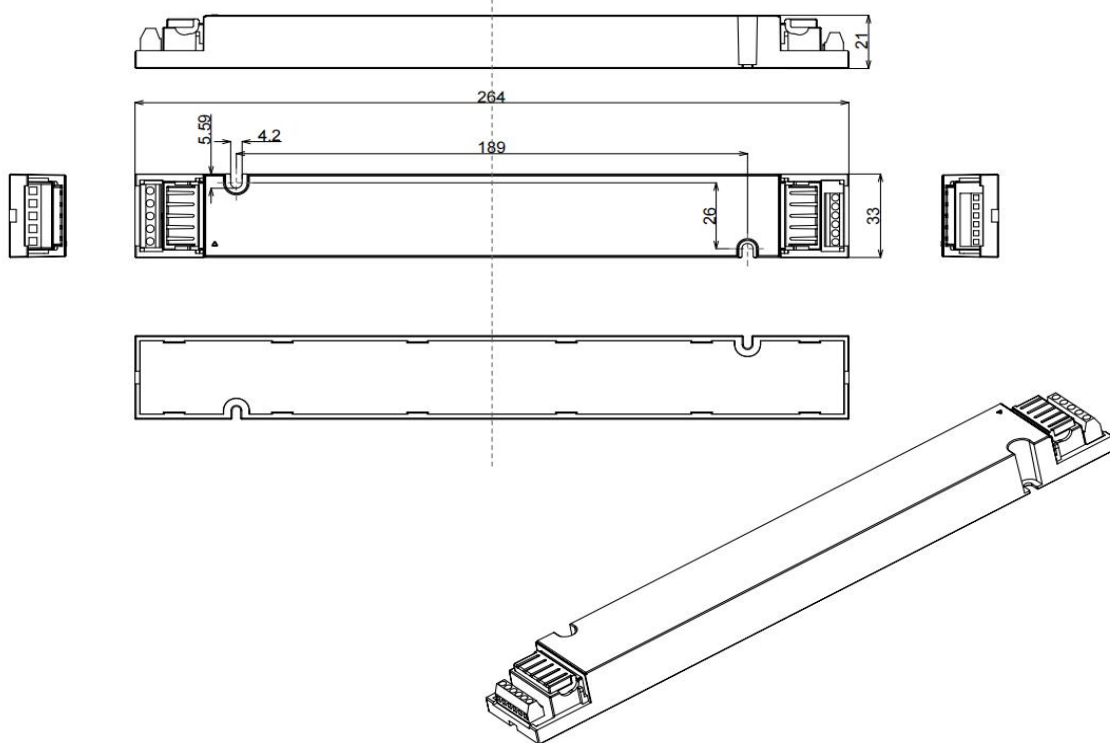
### Dimensions

#### Housing dimensions

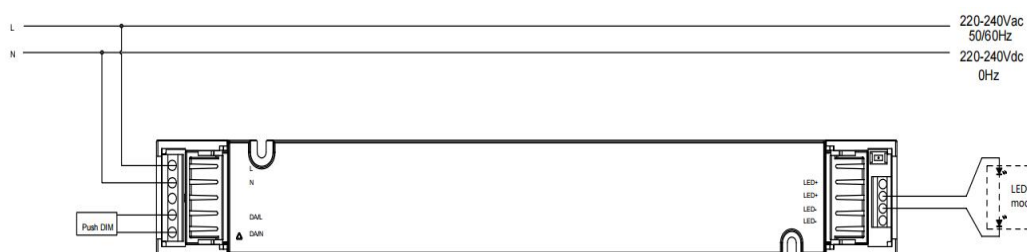
Length (L)	264 mm
Width (W)	33 mm
Height (H)	21 mm
Weight	0.18 kg

#### Packaging details

Packing units	25 pcs
Carton size	310 x175 x 140 mm
Weight	5.15 kg



### Wiring diagram



- All connections must be as short as possible to ensure good EMI performance.
- The luminaire wire should keep a certain distance from the LED power supply and other wires (5 - 10 cm is preferred).
- No secondary switches are allowed.
- Incorrect wiring can damage the LED.
- The wire must be well protected against short circuit.

### Technical information

