

Product features

- Bluetooth dimming adjustable power color temperature LED driver
- Flicker-free LED driver
- Current setting by dip switch
- Output current 350...700 mA
- Max. output power 14.7 W
- For luminaires with protection class II
- 5 years warranty



Product specifications

162420 CSP033-0210700-D

Output current	Input voltage	Output voltage	Efficiency @full load	Current accuracy	Power factor	Dimension LxWxH (mm)
350 mA	220...240 Vac	2.5...21 Vdc	75%	± 5%	0.8	126x38x25
400 mA			76%		0.9	
450 mA			77.5%			
500 mA			80.5%			
550 mA			81%			
600 mA			82%			
650 mA			84%			
700 mA			84.5%			

Electrical specifications

Mains voltage supply

Rated input voltage range	220...240 Vac
Max. input voltage range	198...264 Vac
Rated frequency range	50/60 Hz
Max. input current	0.1 A @ 230 Vac

Protection against voltage peaks

Withstand voltage	l/p-O/P: 3.75 kVac, < 5 mA 60 sec
Mains surge immunity	L-N 1 kV

Total harmonic distortion (THD)

At rated input voltage range @ full load	20%
--	-----

Output data

Output current tolerance	± 5% at rated input voltage range
No load output voltage	35 Vdc
Turn-on Delay time	0.5 s at full load @ low rated input voltage
Output PstLM	≤ 1 at full load @ rated input voltage
Output SVM	≤ 0.4 at full load @ rated input voltage

Protection functions output side

Over voltage protection	Yes
Short circuit protection	Yes

Dimming operation and interface

Standby power consumption	≤ 0.5 W
---------------------------	---------

Connection terminals

Connection terminal type	45° Push in terminal
Wire cross section	Input wire: 0.75...1.5 mm ² , output wire: 0.5-1.5 mm ²
Wire stripping length	8...9 mm

Degree of protection

Protection rating	IP20
-------------------	------

Operating data

Output current range	DIP control adjusts the current: 350...700 mA
Default current	350 mA
Output voltage range	2.5...21 Vdc
Noise level	< 20 dB, at full load @ 100 cm distance

Circuit breaker / Inrush current

	Inrush current Ipeak: 5.8 A			Inrush current Twidth: 45 µs	
MCB loading quantity	MCB type	B10	C10	B16	C16
	Units	10	10	16	16

Supplementary instructions

- The luminaire manufacturer is responsible for measuring and verifying the EMI compliance of the complete luminaire, as the level of radio interference will vary depending on the luminaire construction. Especially primary and secondary cable lengths and their routing may have a significant effect on radio interference.

protection

- Over voltage protection: Hiccup mode. Protection will trigger when load voltage exceed specified output voltage and will auto recover after the fault mode is removed.
- Short circuit protection: Hiccup mode. Protection device will trigger when short circuit and will auto recover after the fault mode is removed.

Environmental specifications

Operating temperature	-20...+45°C
Storage temperature	-40...+85°C
Working humidity	10%...90%
Store humidity	5%...95%
Lifetime	at Tc 75°C: 50,000 hrs @ 230 Vac
Maximum Tc temperature	75°C

Safety & EMC compliance

ENEC+CE
/
/
/
/
/
/
/
/
/

CCC
GB 17625.1-2022
GB/T 17743-2021
GB 19510.1-2009
GB 19510.14-2009

SAA
/
/

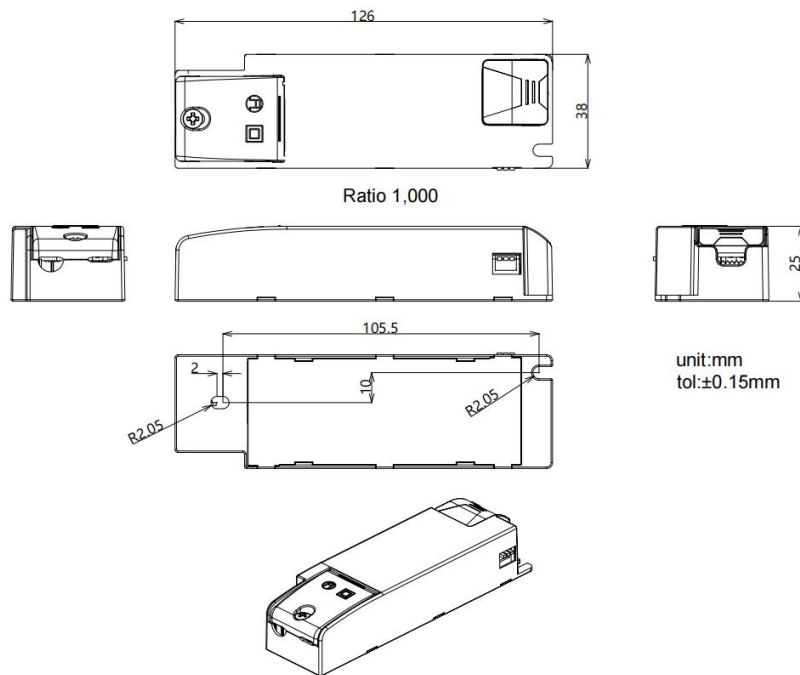
Dimensions

Housing dimensions

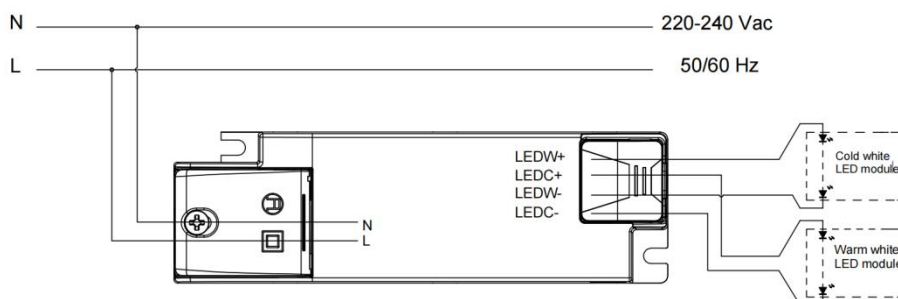
Length (L)	126 mm
Width (W)	38 mm
Height (H)	25 mm
Weight	0.082 kg

Packaging details

Packing units	50 pcs
Carton size	267 x 205 x 165 mm
Weight	4.8 kg

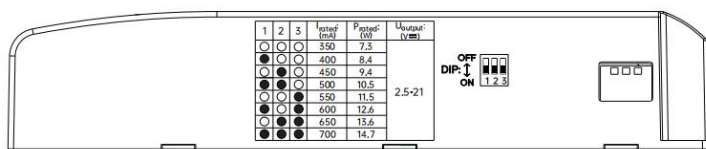
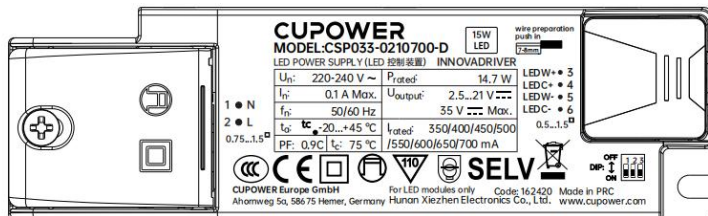


Wiring diagram



- All connections must be as short as possible to ensure good EMI performance.
- The luminaire wire should keep a certain distance from the LED power supply and other wires (5 - 10 cm is preferred).
- Incorrect wiring can damage the LED.
- The wire must be well protected against short circuit.

Adjustable output current with dip-switch



Iout	1	2	3
350 mA	OFF	OFF	OFF
400 mA	ON	OFF	OFF
450 mA	OFF	ON	OFF
500 mA	ON	ON	OFF
550 mA	OFF	OFF	ON
600 mA	ON	OFF	ON
650 mA	OFF	ON	ON
700 mA	ON	ON	ON

Technical information

