

### Product features

- Bluetooth dimming adjustable power color temperature LED driver
- Flicker-free LED driver
- Current setting by dip switch
- Output current 400...750 mA
- Max. output power 31.5 W
- For luminaires with protection class II
- 5 years warranty



### Product specifications

161437 CSP034-0420750-D

Output current	Input voltage	Output voltage	Efficiency @full load	Current accuracy	Power factor	Dimension LxWxH (mm)
400 mA	220...240 Vac	2.5...42 Vdc	85.5%	± 5%	0.9	133x40.5x26
450 mA			86%			
500 mA			87%			
550 mA			87%			
600 mA			87.5%			
650 mA			87.5%			
700 mA			87.5%			
750 mA			87.5%			

### Electrical specifications

#### Mains voltage supply

Rated input voltage range	220...240 Vac
Max. input voltage range	198...264 Vac
Rated frequency range	50/60 Hz
Max. input current	0.2 A @ 230 Vac

#### Protection against voltage peaks

Withstand voltage	I/p-O/p: 3.75 kVac, < 5 mA 60 sec
Mains surge immunity	L-N 1 kV

## Total harmonic distortion (THD)

At rated input voltage range @ full load	20%
--	-----

## Output data

Output current tolerance	± 5% at rated input voltage range
No load output voltage	55 Vdc
Turn on delay time	0.5 s at full load @ low rated input voltage
Output PstLM	≤ 1 at full load @ rated input voltage
Output SVM	≤ 0.4 at full load @ rated input voltage

## Protection functions output side

Short circuit protection	Yes
--------------------------	-----

## Dimming operation and interface

Standby power consumption	≤ 0.5 W
---------------------------	---------

## Connection terminals

Connection terminal type	45° Push in terminal
Wire cross section	Input wire: 0.75...1.5 mm <sup>2</sup> , Output wire: 0.5...1.5 mm <sup>2</sup>
Wire stripping length	7...8 mm

## Degree of protection

Protection rating	IP20
-------------------	------

## Operating data

Default current	400 mA
Output voltage range	2.5...42 Vdc
Noise level	< 20 dB, at full load @ 100 cm distance

## Circuit breaker / Inrush current

MCB loading quantity	Inrush current I <sub>peak</sub> : 4.52 A			Inrush current T <sub>width</sub> : 46.5 μs	
	MCB type	B10	C10	B16	C16
	Units	46	46	73	73

## Supplementary instructions

- The luminaire manufacturer is responsible for measuring and verifying the EMI compliance of the complete luminaire, as the level of radio interference will vary depending on the luminaire construction. Especially primary and secondary cable lengths and their routing may have a significant effect on radio interference.

## Protection

- Over voltage protection: Hiccup mode. Protection will trigger when load voltage exceed specified output voltage and will auto recover after the fault mode is removed.
- Short circuit protection: Hiccup mode. Protection device will trigger when short circuit and will auto recover after the fault mode is removed.

## Environmental specifications

Operating temperature	-20...+45°C
Storage temperature	-40...+85°C
Working humidity	10%...90%
Store humidity	5%...95%
Lifetime	at Tc 80°C: 50,000 hrs; @ 230 Vac
Maximum Tc temperature	85°C

## Safety & EMC compliance

ENEC+CE

CCC
GB 17625.1-2022
GB/T 17743-2021
GB 19510.1-2009
GB 19510.14-2009

SAA

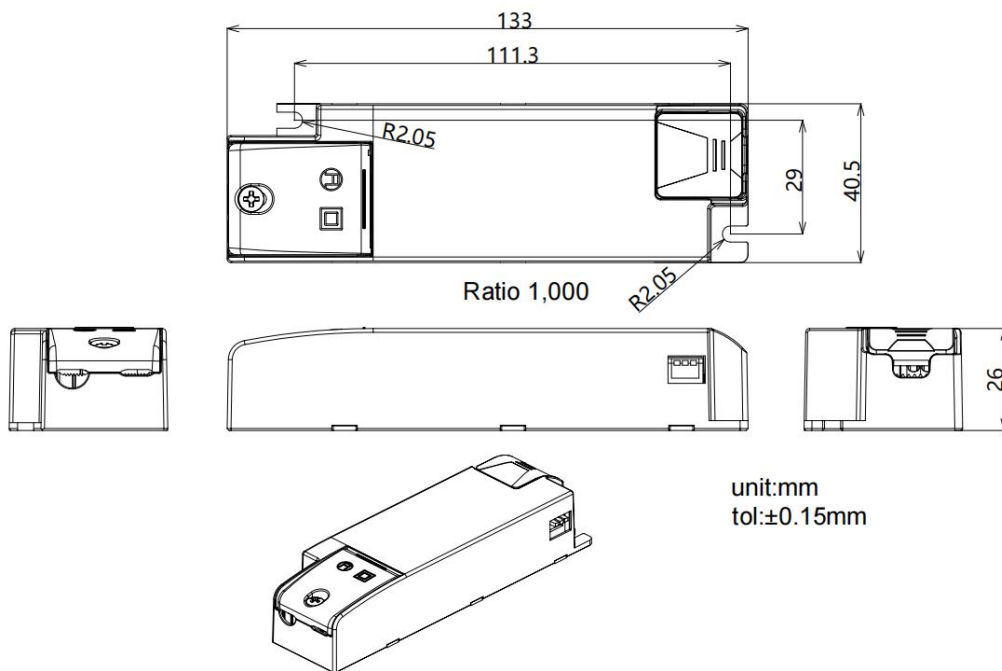
## Dimensions

### Housing dimensions

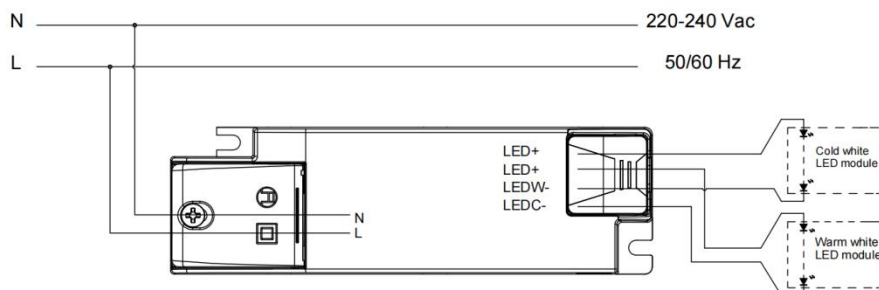
Length (L)	133 mm
Width (W)	40.5 mm
Height (H)	26 mm
Weight	0.092kg

### Packaging details

Packing units	100 pcs
Carton size	415 x 276 x 163 mm
Weight	9.8 kg

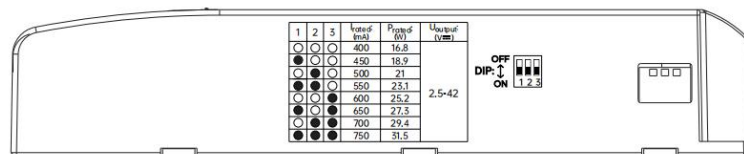
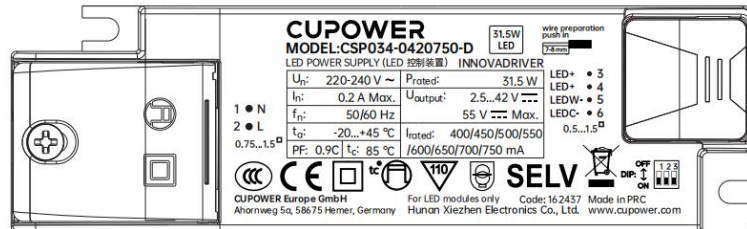


## Wiring diagram



- All connections must be as short as possible to ensure good EMI performance.
- The luminaire wire should keep a certain distance from the LED power supply and other wires (5 - 10 cm is preferred).
- Incorrect wiring can damage the LED.
- The wire must be well protected against short circuit.

## Adjustable output current with dip-switch



I <sub>out</sub>	1	2	3
400 mA	OFF	OFF	OFF
450 mA	ON	OFF	OFF
500 mA	OFF	ON	OFF
550 mA	ON	ON	OFF
600 mA	OFF	OFF	ON
650 mA	ON	OFF	ON
700 mA	OFF	ON	ON
750 mA	ON	ON	ON

## Technical information

