

Product features

- Bluetooth dimming adjustable power color temperature LED driver
- Flicker-free LED driver
- 12 V 0.1 A Auxiliary source
- Current setting by dip switch
- Output current 900...1050 mA
- Max. output power 44.1 W
- For luminaires with protection class II
- 5 years warranty



Bluetooth



Product specifications

162505 CSP013-0420990

Output current	Input voltage	Output voltage	Efficiency @ full load	Current accuracy	Power factor	Dimension LxWxH (mm)
900 mA	220...240 Vac	6...42 Vdc	87%	± 5%	0.96	180x40x30
950 mA			87%			
1000 mA			87%			
1050 mA			87%			

Electrical specifications

Mains voltage supply

Rated input voltage range	220...240 Vac
Max. input voltage range	176...264 Vac
Rated frequency range	50/60 Hz
Max. input current	0.3 A @ 230 Vac

Protection against voltage peaks

Withstand voltage	l/p-O/P: 3.75 kVac, < 5 mA 60 sec
Mains surge immunity	L-N 1 kV

Total harmonic distortion (THD)

At rated input voltage range @ full load	15%
--	-----

Output data

Output current tolerance	± 5% at rated input voltage range
No load output voltage	55 Vdc

page 1

Turn-on Delay time	0.75 s at full load @ low rated input voltage
Stroboscopic coefficient	5%
Output PstLM	≤ 1 at full load @ rated input voltage
Output SVM	≤ 0.4 at full load @ rated input voltage
Auxiliary source output 12Vdc	12 ± 1 Vdc, Max. 0.1 A

Protection functions output side

Over voltage protection	Yes
Short circuit protection	Yes

Dimming operation and interface

Standby power consumption	≤ 0.5 W
---------------------------	---------

Connection terminals

Connection terminal type	45° push in terminal
Wire cross section	Input wire: 0.75...2.5 mm ² , Output wire: 0.5-1.5 mm ²
Wire stripping length	Input: 8-9 mm, Output: 7-8 mm

Degree of protection

Protection rating	IP20
-------------------	------

Operating data

Output current range	DIP control adjusts the current: 900...1050 mA
Default current	900 mA
Output voltage range	6...42 Vdc
Noise level	< 20 dB, at full load @ 100 cm distance

Circuit breaker / Inrush current

MCB loading quantity	Inrush current I _{peak} : 15.6 A			Inrush current T _{width} : 106 μs	
	MCB type	B10	C10	B16	C16
	Units	36	58	36	58

Supplementary instructions

- The luminaire manufacturer is responsible for measuring and verifying the EMI compliance of the complete luminaire, as the level of radio interference will vary depending on the luminaire construction. Especially primary and secondary cable lengths and their routing may have a significant effect on radio interference.
- The difference between the LED VF values of the output two loads should be less than 2Vdc.

protection

- Over voltage protection: Hiccup mode. Protection will trigger when load voltage exceed specified output voltage and will auto recover after the fault mode is removed.
- Short circuit protection: Hiccup mode. Protection device will trigger when short circuit and will auto recover after the fault mode is removed.

Environmental specifications

Operating temperature	-30...+45°C
Storage temperature	-40...+80°C
Working humidity	10%...90%
Store humidity	5%...90%
Lifetime	at Tc 80°C: 50,000 hrs
Maximum Tc temperature	90°C

Safety & EMC compliance

ENEC+CE
/
/
/
/
/
/
/

CCC
GB17625.1-2012
GB/T17743-2017
GB/19510.1-2009
GB19510.14-2009

SAA
/
/

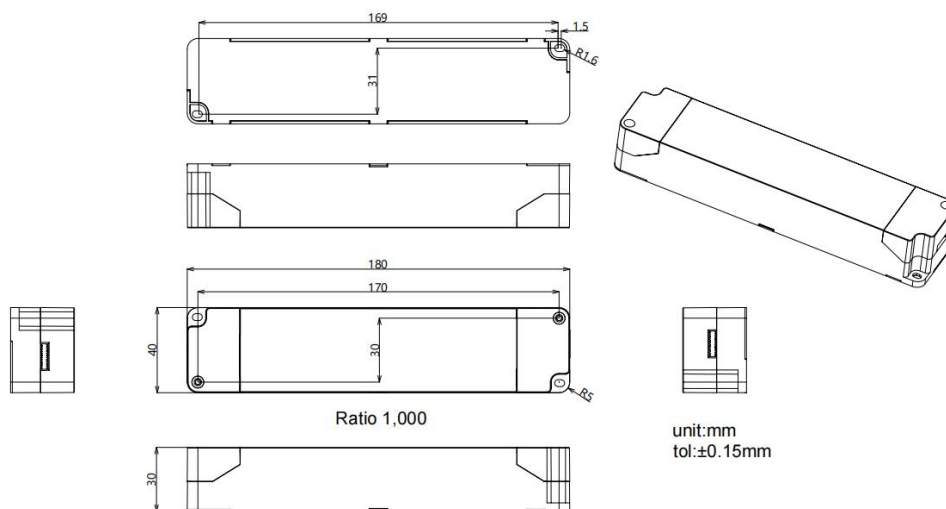
Dimensions

Housing dimensions

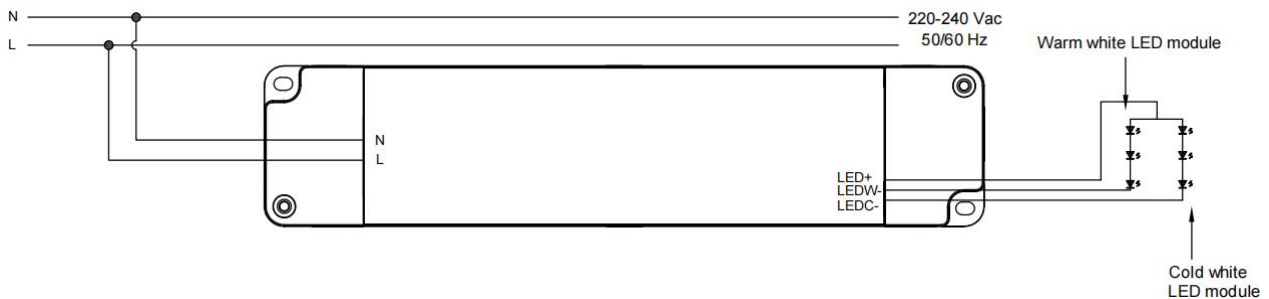
Length (L)	180 mm
Width (W)	40 mm
Height (H)	30 mm
Weight	0.153 kg

Packaging details

Packing units	80 pcs
Carton size	373 x 330 x 185 mm
Weight	12.7 kg

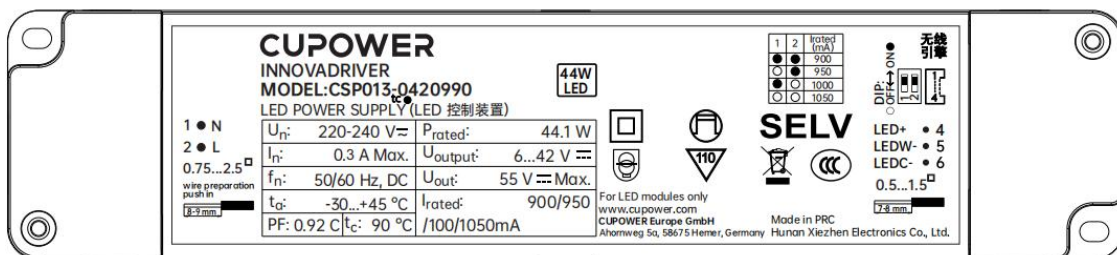


Wiring diagram



- All connections must be as short as possible to ensure good EMI performance.
- The luminaire wire should keep a certain distance from the LED power supply and other wires (5 - 10 cm is preferred).
- Incorrect wiring can damage the LED.
- The wire must be well protected against short circuit.

Adjustable output current with dip-switch



lout	1	2
900 mA	ON	ON
950 mA	OFF	ON
1000 mA	ON	OFF
1050 mA	OFF	OFF

Technical information

