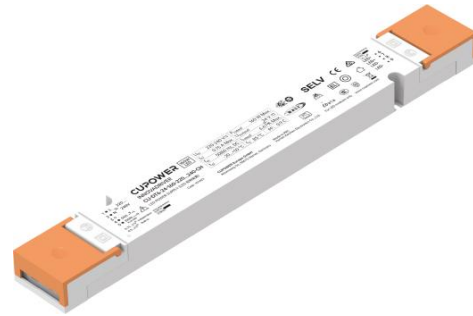


### Product features

- Constant voltage LED driver
- Support DALI-2, Push Dimming
- Supports i-Data function (DALI part 251, 252, 253)
- Usable as DT6 (channel) driver
- Output current 0...6.67 A
- Max. output power 160 W
- DC emergency: Current output default value 15%
- For luminaires with protection class I, II
- Removable strain reliefs included
- 5 years warranty



### Product specifications

161423 CU-DT6-24-160-220...240-CH

Output current	Input voltage	Output voltage	Efficiency @ full load	Voltage accuracy	Power factor	Dimension L x W x H (mm)
0...6.67 A	220...240 Vac 220...240 Vdc	24 Vdc	92.5%	± 3%	0.9	309.7 x 43.0 x 30.0

### Electrical specifications

#### Mains voltage supply

Rated input voltage range	220...240 Vac; performance range
Max. input voltage range	198...264 Vac; operational safety range
Rated frequency range	0/50/60 Hz
Performance/Operational safety	47...63 Hz
Max. input current	0.75 A @ 230 Vac & 0.75 A @ 230 Vdc

#### Battery operation

DC voltage range	220...240 Vdc; performance range
Max. DC voltage range	176...276 Vdc; operational safety range

#### Protection against voltage peaks

Withstand voltage	I/p-O/p: 3.75 kVac, < 5 mA 60 sec
Mains surge immunity	L-N 1 kV IEC 61000-4-5

#### Total harmonic distortion (THD)

At rated input voltage range @ full load	≤ 10%
--	-------

### Output data

Output voltage tolerance	± 3 V at rated input voltage range
Output PWM frequency	4000 Hz
No load output voltage	24 Vdc
Ripple output voltage	1%
Output PstLM	≤ 1 at full load @ rated input voltage
Output SVM	≤ 0.4 at full load @ rated input voltage

### Protection functions output side

Over current protection	Over current protection: Hiccup mode. Protection device will trigger when load current exceeds specified output current and will auto recover after the fault mode is removed.
Short circuit protection	Short circuit protection: Hiccup mode. Protection device will trigger when short circuit and will auto recover after the fault mode is removed.

### Dimming operation and interface

Dimming mode	DALI-2, push dimming
Dimming method	Amplitude dimming
Dimming range	0.1%...100%
Standby power consumption	0.3 W

### Connection terminals

Wire cross section	Input wire: 0.5...2.5 mm <sup>2</sup> @ Built-in; 0.75...2.5 mm <sup>2</sup> @ Independent Output wire: 1...2.5 mm <sup>2</sup>
Wire stripping length	Input wire: 9...10 mm; Output wire: 6...7 mm

### Degree of protection

Protection rating	IP20
-------------------	------

### Operating data

Connection terminal type	Input: 45° push in terminal; Output: 0° push in terminal
Maximum output current	6.67 A
Output power range (P <sub>rated</sub> )	16...160 W
Output voltage range	24 Vdc
Noise level	< 20 dB, at full load @ 100 cm distance

### Circuit breaker / Inrush current

MCB loading quantity	Inrush current I <sub>peak</sub> : 42.2 A			Inrush current T <sub>width</sub> : 534 μs	
	MCB type	B10	C10	B16	C16
	Units	4	7	7	11

### Supplementary instructions

- The luminaire manufacturer is responsible for measuring and verifying the EMI compliance of the complete luminaire, as the level of radio interference will vary depending on the luminaire construction. Especially primary and secondary cable lengths and their routing may have a significant effect on radio interference.
- For the push DIM function, please follow our instructions, which can be downloaded from [www.cupower.com](http://www.cupower.com).

### Environmental specifications

Operating temperature	-20...+50°C
Storage temperature	-40...+85°C
Working humidity	10%...90%
Store humidity	5%...90%
Lifetime	at Tc 85°C: 50,000 hrs; at Tc 75°C: 100,000 hrs; @ 230 Vac
Maximum Tc temperature	85°C

### Safety & EMC compliance

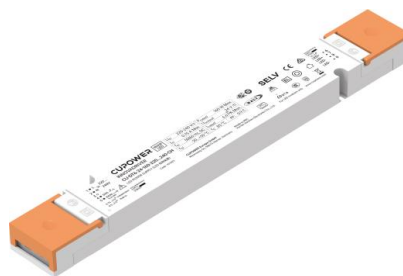
ENEC+CE
EN IEC 55015
EN IEC 61547
EN IEC 61000-3
EN 61000-3
EN 61347-1
EN 61347-2
EN IEC 62384
EN 62493

CCC
GB 17625
GB 17743
GB 19510
GB 19510.14

SAA
AS 61347.2
AS/NZS 61347.1+A1

DALI-2 Acc. to EN 62386
Acc. to IEC 62386-101:Ed2
Acc. to IEC 62386-102:Ed2
Acc. to IEC 62386-207:Ed1
Acc. to IEC 62386-251:Ed2
Acc. to IEC 62386-252:Ed2
Acc. to IEC 62386-253:Ed2

### Accessories



Art. 163526 XZ-CU-B

Driver incl: 2\*XZ-CU-B

Dimensions	Length (mm)	Width (mm)	Height (mm)
XZ-CU-B	50.5	43.0	30.0
Driver incl: 2*XZ-CU-B	345.0	43.0	30.0

### Dimensions

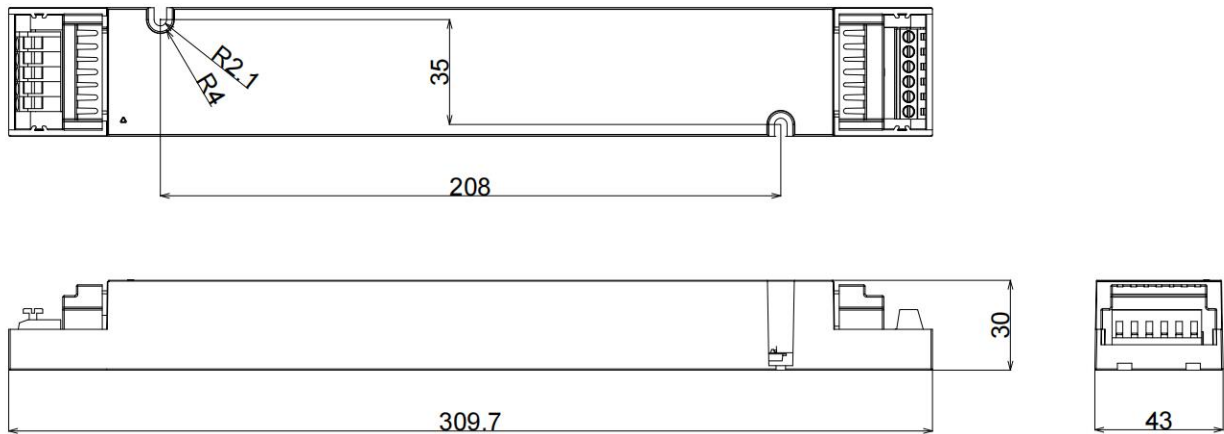
#### Housing dimensions

Length (L)	309.7 mm
Width (W)	43.0 mm
Height (H)	30.0 mm

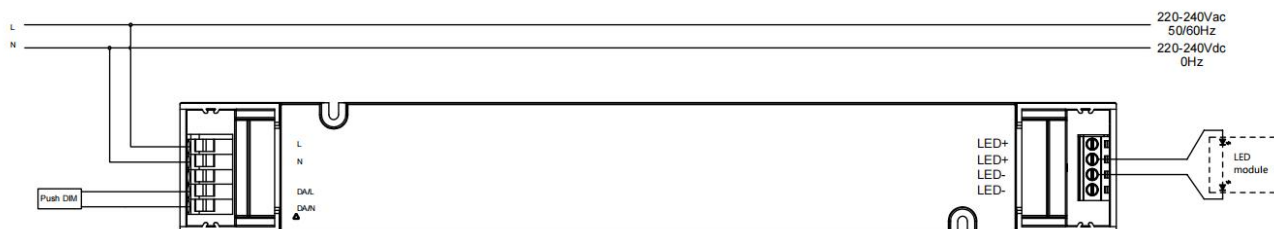
For all dimensions: values in mm; tolerances:  $\pm 0.5$  mm

#### Packaging details

Packing units	25 pcs
Carton size	355 x 225 x 185 mm
Carton weight	10.23 kg
Product weight	0.383 kg



### Wiring diagram



- All connections must be as short as possible to ensure good EMI performance.
- The luminaire wire should keep a certain distance from the LED power supply and other wires (5...10 cm is preferred).
- No secondary switches are allowed.
- Incorrect wiring can damage the LED.
- The wire must be well protected against short circuit.

## Technical information

