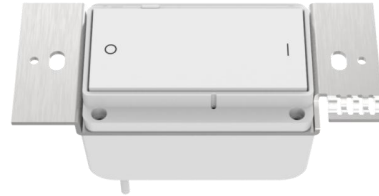


Product features

- 120 Vac input
- Standard Decora form factor
- Complies with Title 24
- Built-in Casambi + RF functions



Product specifications

169146 NAWSS 120-TRIAC-1CH-W-CAS

Power rating	LED 125 W/Resistive 250 W
Input voltage	120 Vac

Electrical specifications

Mains voltage supply

Working voltage	120 Vac
Rated frequency range	50/60 Hz
Dimming range	5...100%
Power rating	LED 125 W/Resistive 250 W
Communication method	Casambi/RF 433 MHz
Wireless range (open air)	Up to 164 ft (50 m) in open air
Memory capacity	Up to 10 kinetic transmitters
Standby power	<0.5 W
RF receiver sensitivity	-110 dBm
Bluetooth chip	PAN1770
Wireless frequency	2.4 GHz
Protocol	IEEE 802.11b/g/n

Supplementary instructions

Be sure to read the instruction carefully before installation, and the manufacturer will not be responsible for any product damage that does not follow the instruction

- Wet hands are strictly prohibited.
- Must work strictly according to the rated load.
- Do not continue to work after self-disassembly of any nature and damage of external forces.

Warning: High voltage-to avoid fire, shock, or death. Turn off the power at the circuit breaker before you install this receptacle.

Environmental specifications

Operating temperature	-15... +45°C
Storage temperature	-30...+80°C
Working humidity	10%...90%
Store humidity	5%...90%

Safety & EMC compliance

ETL	FCC	CSA
UL 1472	/	CSA C22.2#184.1:2015 Ed.2+U1
/	/	/
/	/	/
/	/	/
/	/	/

Dimensions

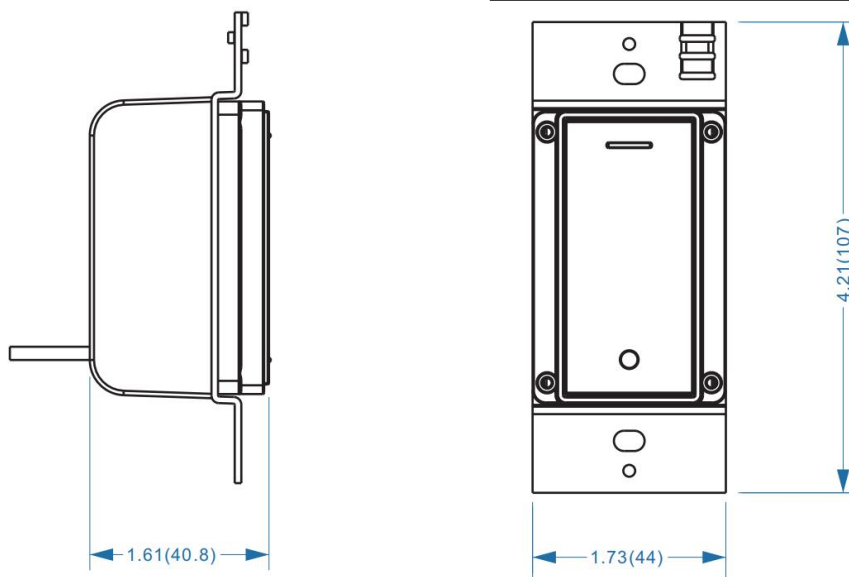
Housing dimensions

Length (L)	4.21 in (107.0 mm)
Width (W)	1.73 in (44.0 mm)
Height (H)	1.6 in (40.8 mm)

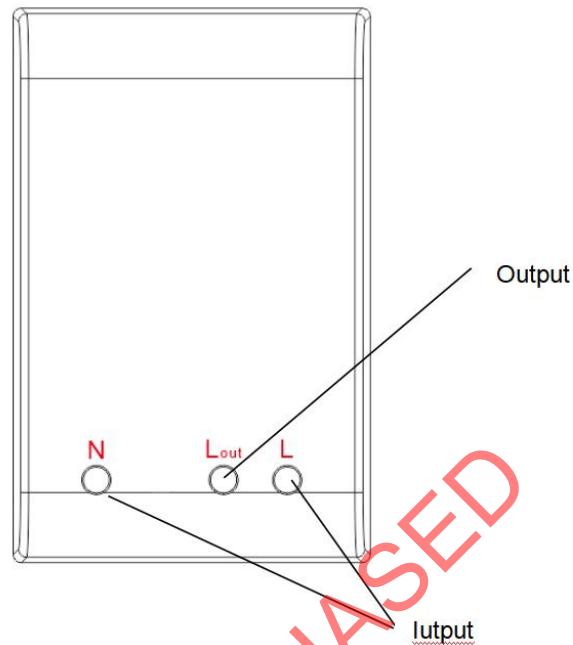
For all dimensions: values in in (mm); tolerances: ± 0.2 mm

Packaging details

Packing units	40 pcs.
Carton size	4.21 in \times 1.73 in \times 1.6 in (325 mm x 280 mm x 170 mm)
Carton weight	6.55 kg
Product weight	0.097 kg



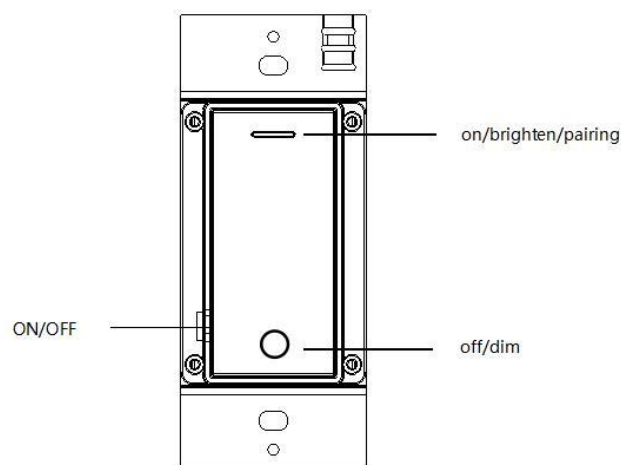
Wiring diagram



Installation Instructions:

- Ensure the power supply is turned off to avoid the risk of electric shock.
- Install the dimmer switch into a standard Decora wall plate and secure it firmly.
- Connect the power wires, ensuring correct and secure wiring.
- Turn on the power and test the switch's functionality to ensure proper operation.

Button description



Please refer to the product manual for detailed operation functions of Casambi + RF.