

Product features

- Single Pole Double Throw
- Built-in Casambi + RF functions
- External switch control function
- Powerpack form factor
- Can be perfectly compatible with CUPOWER kinetic switch



CASAMBI



Product specifications

169139 NAPPK KN-IOModule

Max Load	SPDT 277 Vac/30Vdc 5 A
Input voltage	10...36 Vdc

Electrical specifications

Mains voltage supply

Power supply	10...36 Vdc
Radio frequency	Casambi + RF 433MHz
Max load	SPDT 277 Vac/30 Vdc 5 A
Wireless range (Open Air)	Up to 50 m (164 ft) in open air
Memory capacity	Up to 10 kinetic transmitters
Standby power consumption	<1 W
Rx sensitivity	-110 dBm
Bluetooth chip	PAN1780
Wireless frequency	2.4 GHz
Protocol	IEEE 802.11b/g/n

Supplementary instructions

Be sure to read the instruction carefully before installation, and the manufacturer will not be responsible for any product damage that does not follow the instruction.

- Wet hands are strictly prohibited.
- Must work strictly according to the rated load.
- Do not continue to work after self-disassembly of any nature and damage of external forces.

Warning: High voltage-to avoid fire, shock, or death. Turn off the power at the circuit breaker before you install this receptacle.

Environmental specifications

Operating temperature	-20...+55°C
Storage temperature	-30...+80°C
Working humidity	10%...90%
Store humidity	5%...90%
Maximum Tc temperature	75°C

Safety & EMC compliance

FCC		
/	/	/
/	/	/
/	/	/
/	/	/
/	/	/
/	/	/

Dimensions

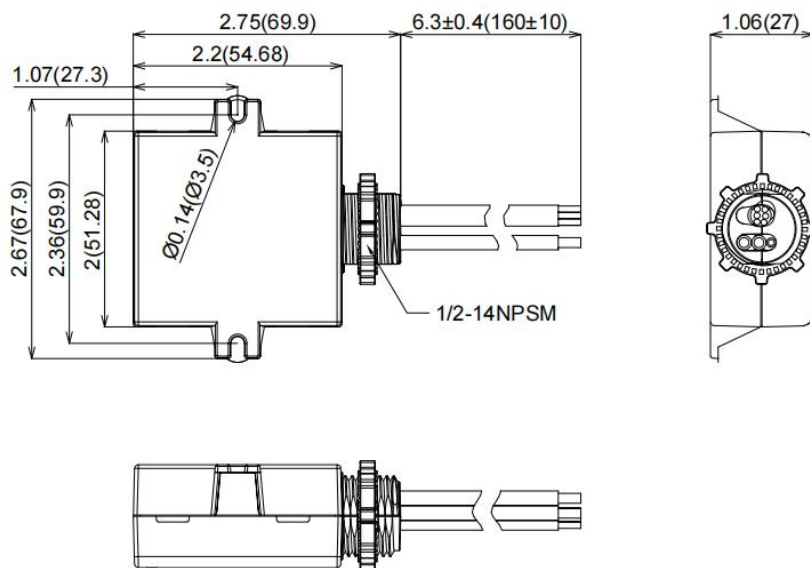
Housing dimensions

Length (L)	2.75 in (69.9 mm)
Width (W)	2.67 in (67.9 mm)
Height (H)	1.06 in (27.0 mm)

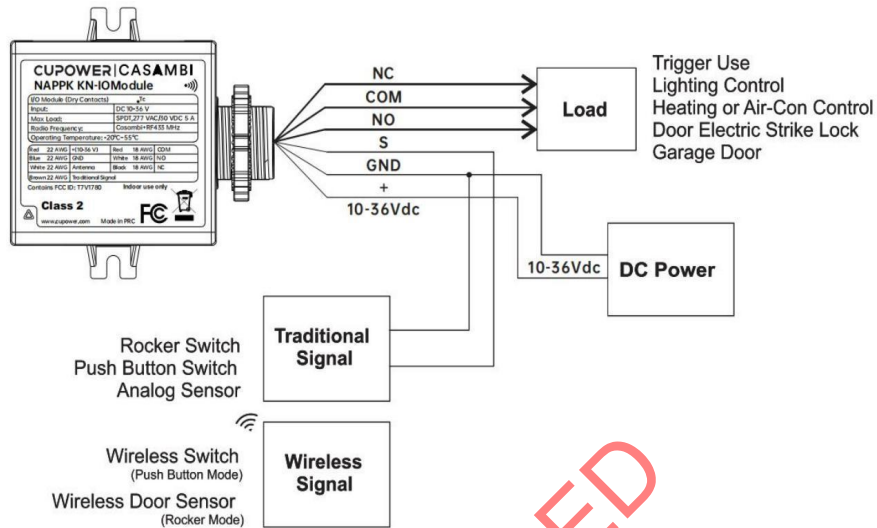
For all dimensions: values in in (mm); tolerances: ± 0.2 mm

Packaging details

Packing units	40 pcs
Carton size	2.75 in × 2.67 in × 1.06 in (322 mm x 260 mm x 218 mm)
Weight	3.72 kg
Product weight	0.06 kg



Wiring diagram



Please refer to the product manual for detailed operation functions of Casambi + RF.

OUTPHASED